



MICHIGAN PNEUMATIC TOOL

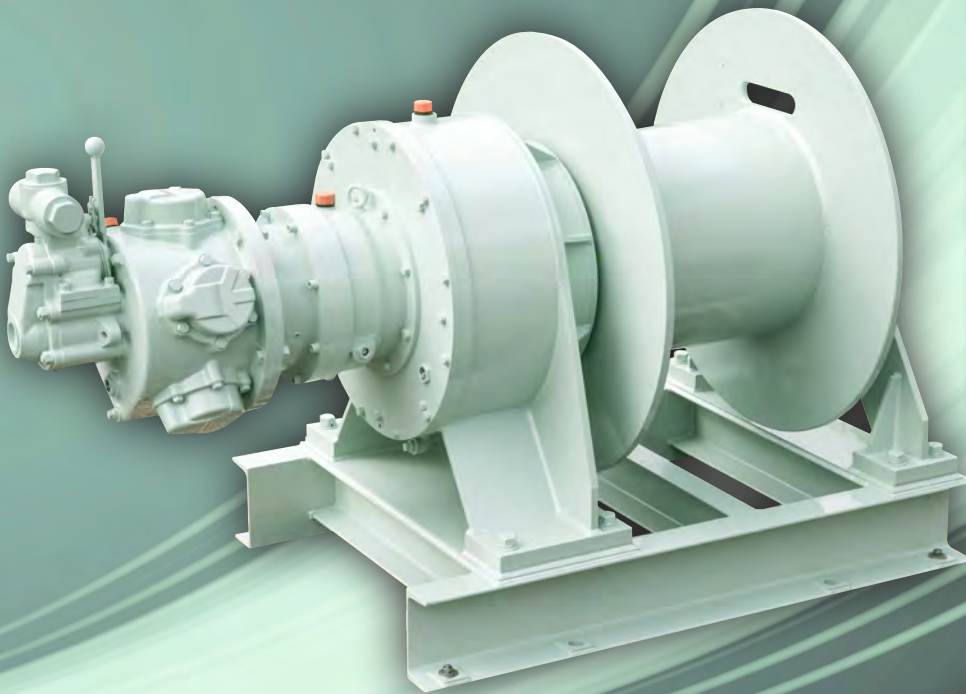
Air Winches



San-Ei

AIR WINCHES

Built to last since 1936!



Serving All Industries

- Petro Chemical
- Construction
- Demolition
- Assembly
- Rental

1-800-521-8104 • www.michiganpneumatic.com



Table of Contents

History	3
Specifications	4
Model No. Identification	5
Selection Guide.	6
Cable Capacity	7
MP-W05AA3 Series <i>1100 lb. Capacity</i>	8
MP-W10220 Series <i>2200 lb. Capacity</i>	12
MP-W20220 Series <i>4400 lb. Capacity</i>	20
MP-W3036 Series <i>6600 lb. Capacity</i>	28
MP-W5036 Series <i>11000 lb. Capacity</i>	36
MP-AH45 Series <i>22000 lb. Capacity</i>	44
Guards & Pendant Controls	46
Accessories.	47

This equipment is not to be used for lifting, supporting or transporting people, or for lifting or supporting loads over people.

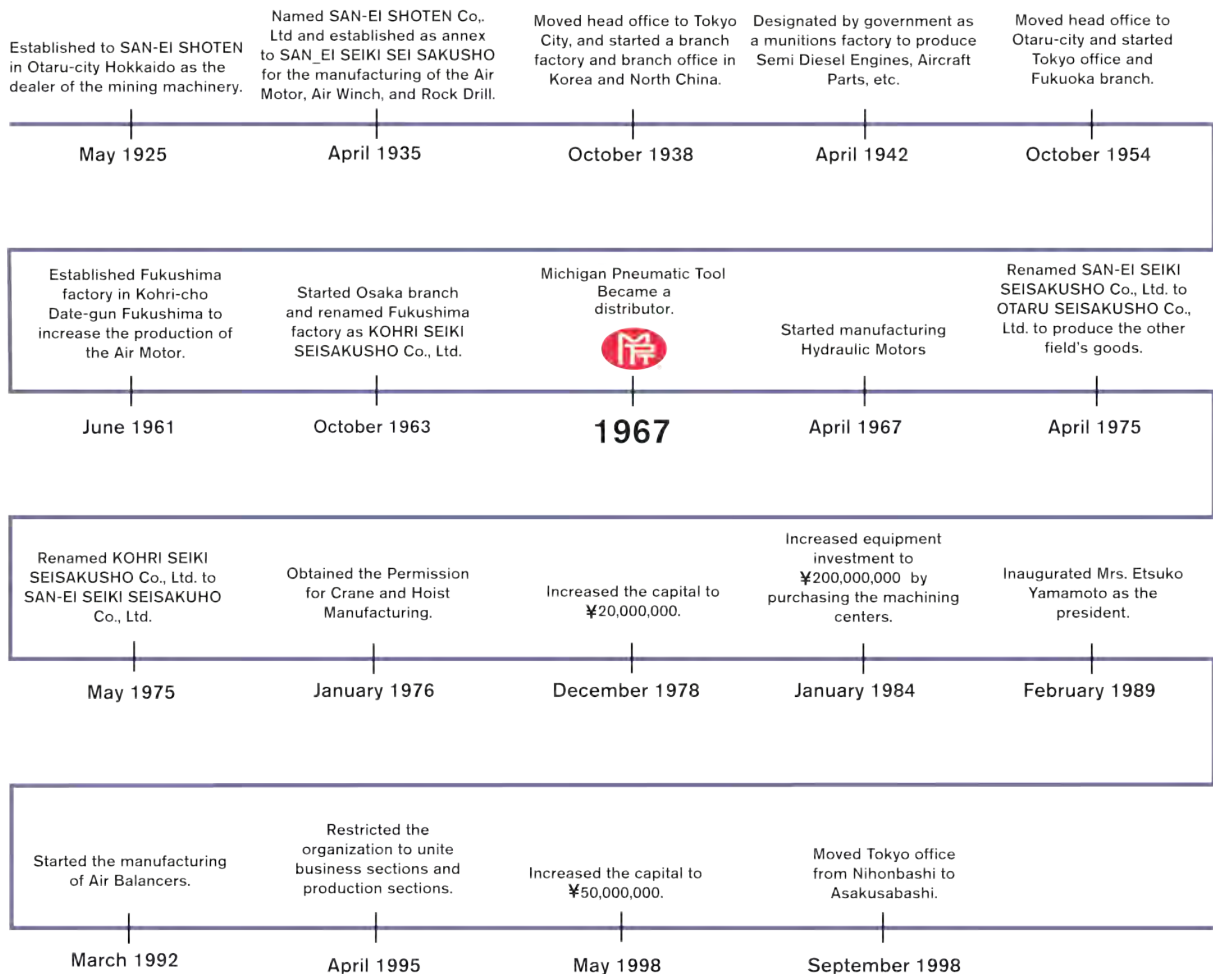


Since 1925, we have been a superior manufacturer of hydraulic and pneumatic machinery. Our products include Air Motors, Air Hoists, Air Winches, Air Balancers, Hydraulic Motors, and more.

Our machinery is designed and manufactured with great quality, and used in fields such as iron manufacturing, ship building, machine manufacturing, chemical plants, oil refineries, mining, construction, automobile manufacturing and more. It is important to us that all of our customers are satisfied. At SAN-EI SEIKI, we develop products for all new and upcoming fields of work. Our products and services are original, unique, and we never stop brainstorming new ideas for machinery equipment.

We are proud of our superior technology and top level facilities. We strive to solve your tough problems in all mechanical, pneumatic, and hydraulic areas.

HISTORY



This equipment is not to be used for lifting, supporting or transporting people, or for lifting or supporting loads over people.



Specifications

Motor Series	Drum	Motor Output	Capacity	Line Speed at Capacity	Cable Capacity	Weight w/o Rope Manual Brake	Weight w/o Rope Auto Brake	Avg. Air Consumption
MP-W05AA3	Short	2.3 hp	1100 lbs.	62 ft./min.	5/16" x 145 ft. 1/4" x 240 ft.	97 lbs.	104 lbs.	71 cfm
MP-W10220	Short	9.6 hp	2200 lbs.	121 ft./min.	1/2" x 375 ft.	566 lbs.	588 lbs.	191 cfm
	Long				1/2" x 750 ft.	608 lbs.	635 lbs.	
MP-W20220	Short	9.6 hp	4400 lbs.	62 ft./min.	1/2" x 375 ft. 7/16" x 475 ft.	586 lbs.	608 lbs.	191 cfm
	Long				1/2" x 750 ft. 7/16" x 950 ft.	632 lbs.	654 lbs.	
MP-W3036	Short	16.0 hp	6600 lbs.	62 ft./min.	5/8" x 525 ft.	1035 lbs.	1066 lbs.	318 cfm
	Long				5/8" x 1050 ft.	1130 lbs.	1161 lbs.	
MP-W5036	Short	16.0 hp	11000 lbs.	36 ft./min.	7/8" x 375 ft. 3/4" x 500 ft.	1670 lbs.	1716 lbs.	318 cfm
	Long				7/8" x 750 ft. 3/4" x 1000 ft.	1890 lbs.	1923 lbs.	
MP-AH45	Standard	23.0 hp	22000 lbs.	27 ft./min.	1-1/4" x 853 ft.	N/A	3375 lbs.	600 cfm

Figures are shown with supplied air pressure at 90 psi. Capacities rated at half drum.

All San-Ei tuggers feature a marine grade paint specifically designed for use in seaport applications and other harsh environments. With threaded exhaust ports, you can also use the San-Ei air tuggers indoors and divert the exhaust to the exterior or away from hazardous materials or gases.

This equipment is not to be used for lifting, supporting or transporting people, or for lifting or supporting loads over people.



Model Number Identification

- CClutch (*Manual Brake only*)
*[No Code]
- H Internal Disc Brake
***[No Code]
- A Manual Control Throttle (*MP-W Series only*)
Self-closing: shuts off automatically when released.
- P Pendant Control Throttle
- S Short Drum
- S1 Standard Drum
- L Long Drum
(*Standard Drum only available on MP-AH Series*)



Or
MP-AH

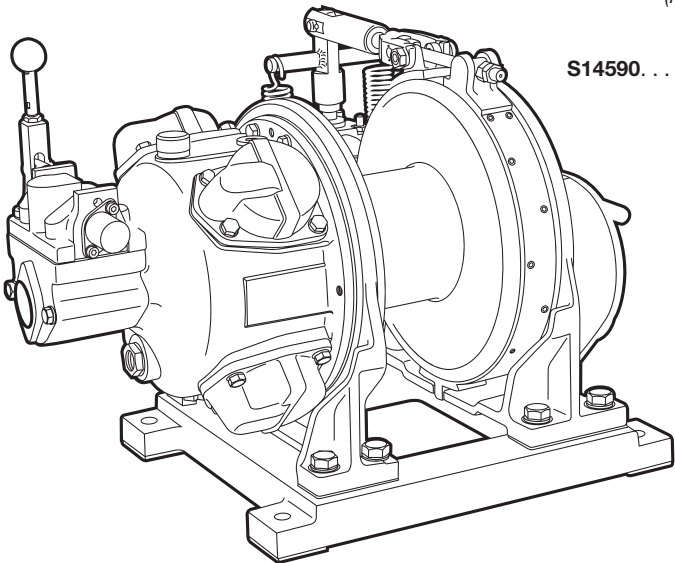
- Motor:**
- 3 DM3
 - 220 DM220
 - 36 DM36

- Capacity:**
- 05 0.5 ton
 - 10 1.0 ton
 - 20 2.0 ton
 - 30 3.0 ton
 - 50 5.0 ton
 - 100 10.0 ton

- External Brake:**
(*MP-W Series only*)
- AB Automatic Brake
 - MB Manual Brake

- G Guard
**[No Code]
- F Support Cage
(*MP-W Series only*)
****[No Code]

- S14590 Filter / Lubricator Kit
*****[No Code]



[Remarks]

- * Without Clutch
- ** Without Drum Guard
- *** Single Drum Brake
- **** Without Support Cage
- ***** Without Filter / Lubricator Kit

This equipment is not to be used for lifting, supporting or transporting people, or for lifting or supporting loads over people.



Selection Guide

Rope Capacity and Line Speed

The line speed of an air winch is dependent on the quantity of rope on the drum. The first layer of rope on the drum receives the highest power at the slowest speed. A full drum is up to the maximum speed with the lowest power.

The standard capacity of a winch at half drum: **Ds**

$$D_s = (D_o + D_f) \times 1/2$$

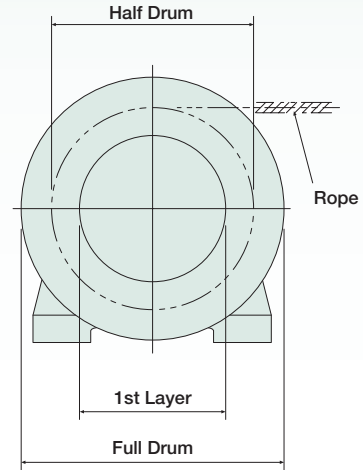
D_o = Inner Drum Diameter

D_f = Full Drum Diameter

1st Layer - Minimum speed, maximum pull

Half Drum - Medium speed, medium pull

Full Drum - Maximum speed, minimum pull



Drum Size

Motor Series	Drum	Inner Drum Diameter	Full Drum Diameter	Drum Length	Rope Anchor Hole
MP-W05AA3	Short	4.72"	8.50"	4.49"	0.39"
MP-W10220	Short	7.09"	16.14"	7.01"	0.63"
MP-W10220	Long	7.09"	16.14"	14.00"	0.63"
MP-W20220	Short	7.09"	16.14"	7.01"	0.63"
MP-W20220	Long	7.09"	16.14"	14.00"	0.63"
MP-W3036	Short	9.45"	20.87"	9.45"	0.79"
MP-W3036	Long	9.45"	20.87"	18.90"	0.79"
MP-W5036	Short	12.99"	23.62"	11.81"	1.10"
MP-W5036	Long	12.99"	23.62"	23.62"	1.10"
MP-AH45	Standard	20.00"	38.58"	27.5i5"	1.50"

Rope Selection

To determine the size of rope needed for a particular application, use the Safe Working Load specifications from the chart below. The Breaking Strength for each size of rope is listed for additional reference.

Rope Diameter	5/16"	11/32"	3/8"	7/16"	1/2"	9/16"	5/8"	45/64"	3/4"	7/8"	1"
Breaking Strength (tons)	4.42	5.59	6.9	8.6	10.8	13.5	17.7	22.4	27.6	34.6	43.2
Safe Working Load (tons)	0.8	1.1	1.3	1.7	2.1	2.7	3.5	4.4	5.5	6.9	8.6

This equipment is not to be used for lifting, supporting or transporting people, or for lifting or supporting loads over people.



Cable Capacity

Rope Length

The maximum rope length, when tightly wound, varies according to the rope diameter for each model. The approximate working rope length is 80% of the lengths listed in the chart below.

Motor Series	Drum	Cable Capacity (tightly wound)									
		1/4" 6.3mm	5/16" 8mm	3/8" 10mm	7/16" 11.2mm	1/2" 12.5mm	5/8" 16mm	3/4" 20mm	7/8" 22.4mm	1" 25.4mm	1-1/4" 31.7mm
MP-W05AA3	Short	195 ft.	145 ft.	-	-	-	-	-	-	-	-
MP-W10220	Short	-	-	670 ft.	475 ft.	375 ft.	-	-	-	-	-
MP-W10220	Long	-	-	1340 ft.	950 ft.	750 ft.	-	-	-	-	-
MP-W20220	Short	-	-	-	475 ft.	375 ft.	-	-	-	-	-
MP-W20220	Long	-	-	-	950 ft.	750 ft.	-	-	-	-	-
MP-W3036	Short	-	-	-	-	-	525 ft.	-	-	-	-
MP-W3036	Long	-	-	-	-	-	1050 ft.	-	-	-	-
MP-W5036	Short	-	-	-	-	-	-	500 ft.	375 ft.	-	-
MP-W5036	Long	-	-	-	-	-	-	1000 ft.	750 ft.	-	-
MP-AH45	Standard	-	-	-	-	-	-	-	-	1300 ft.	853 ft.

Fleet Angle

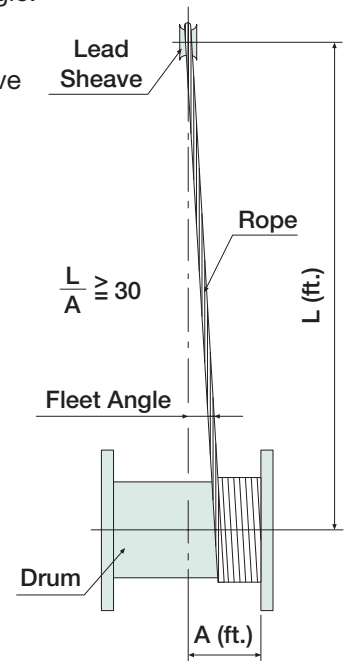
The correct fleet angle is necessary to keep the rope straight on the drum during wind-up. The angle between the center line through the lead sheave and the centerline of the rope leading to the drum is called the fleet angle. Please refer to the figure at the right.

The maximum fleet angle is 2°. To obtain the best angle, the lead sheave must be positioned using the following formula:

$$L \text{ (ft.)} = A \text{ (ft.)} \times 30$$



MP-W20220LAAB Long Drum Tugger w/ Autobrake

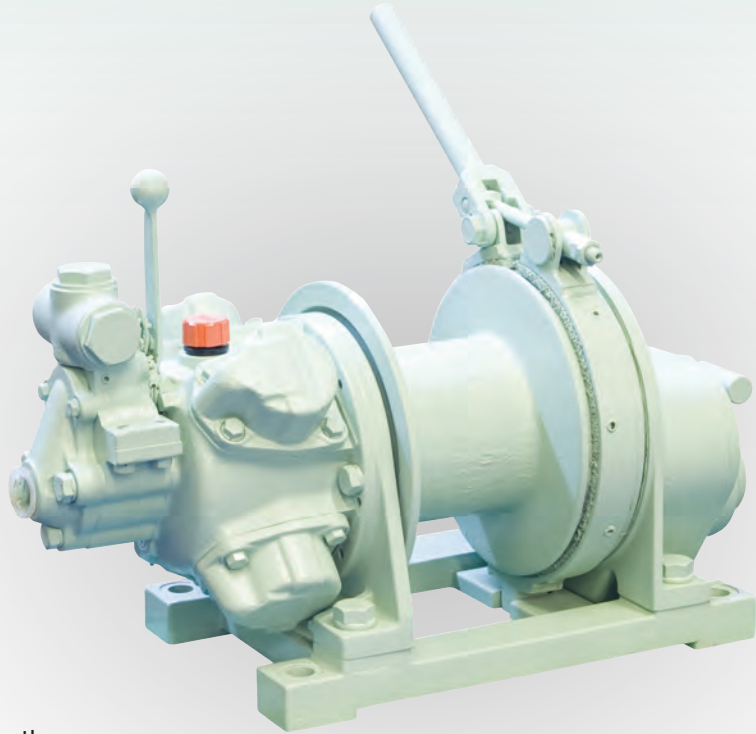


This equipment is not to be used for lifting, supporting or transporting people, or for lifting or supporting loads over people.



Model MP-W05AA3SACMB

1100 lb. Short Drum Winch w/ Manual Brake

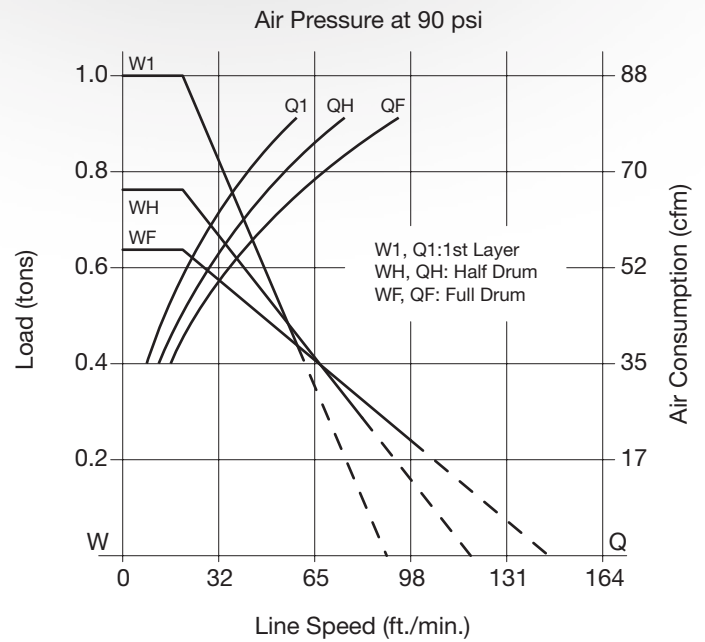


The MP-W05AA3 series tugger is also known as the “Baby Tugger” and is capable of lifting 1100 lbs. This cast aluminum, lightweight, compact tugger is designed for low air consumption and high efficiency. Ideal for gasoline tank farm construction, water tower erection, petrochemical, marine and oil platform work. The 4-piston motor allows for controlled maneuvering of the load. In addition, the motor can be rotated, allowing the MP-W05AA3 series air tuggers to be ceiling or wall mounted for unique applications.

The MP-W05AA3 series features the only “baby tugger” with a 3-piece valve assembly, which allows the technicians to repair the throttle valve or rotary valve independently of each other, and more importantly, without removing the entire motor from the frame assembly, unlike competitive units on the market.

Specifications

Capacity	1100 lbs.
Line Speed at Capacity	62 ft.
Cable Capacity	195 ft. of 1/4"
	145 ft. of 5/16"
Weight w/o Rope	97 lbs.
Air Inlet Thread	3/4"



This equipment is not to be used for lifting, supporting or transporting people, or for lifting or supporting loads over people.



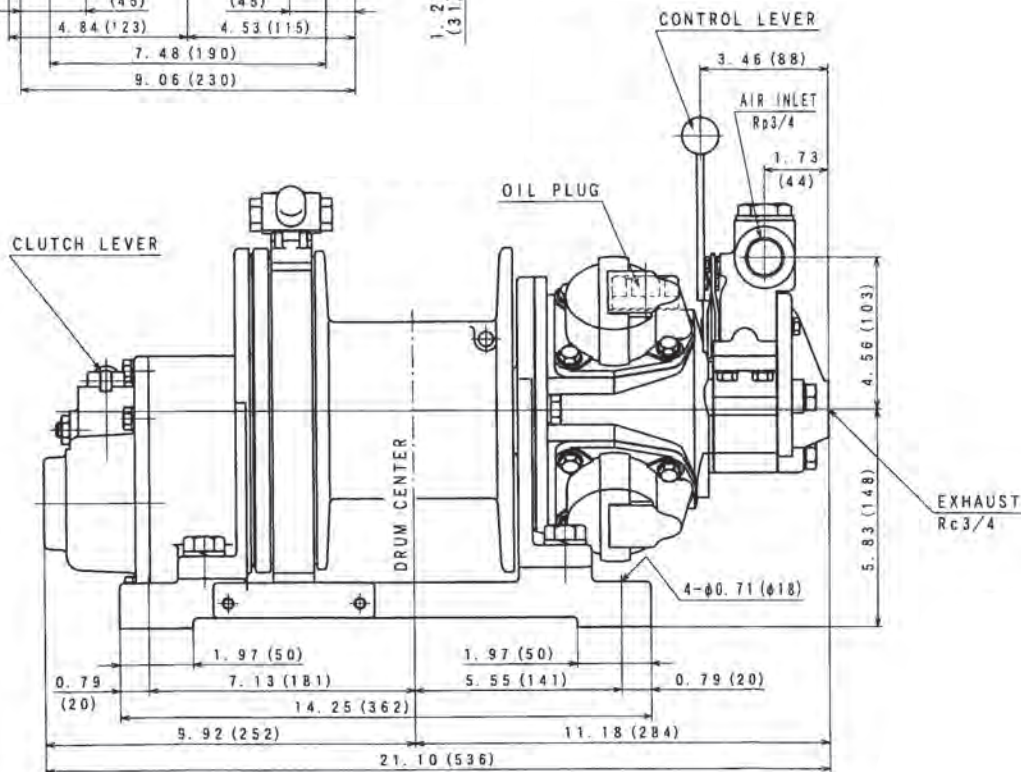
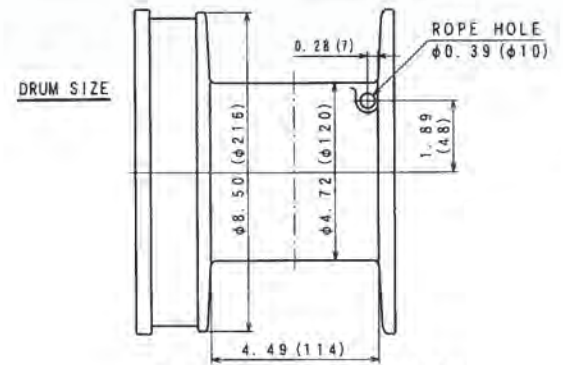
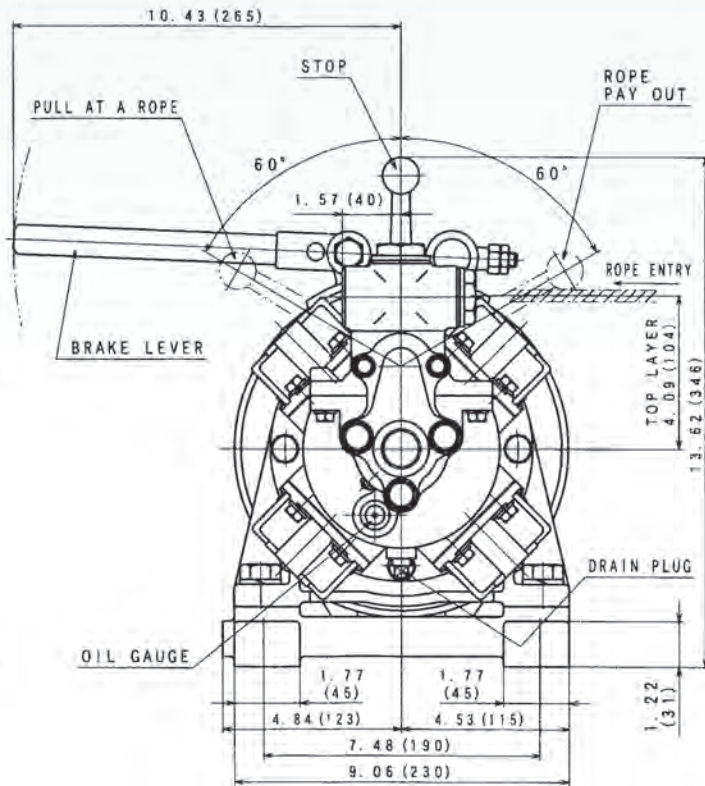
Model MP-W05AA3SACMB

1100 lb. Short Drum Winch w/ Manual Brake

SPECIFICATIONS (at Half Drum)

Motor Output	Capacity	Line Speed at Capacity	Cable Capacity	Weight w/o Rope	Avg. Air Consumption @ 90 psi
2.3 hp	1100 lbs.	62 ft./min.	5/16 in. x 145 ft.	97 lbs.	71 cfm

Drawing Dimensions in Inches (millimeters listed in brackets)

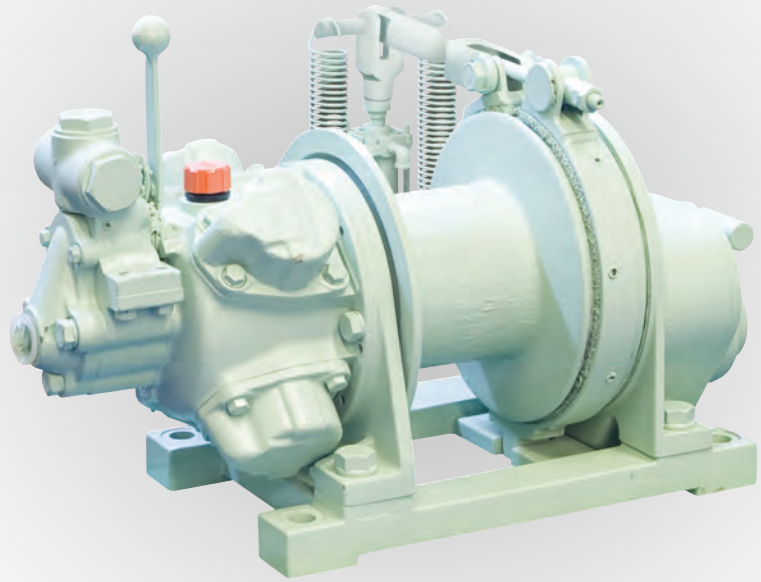


This equipment is not to be used for lifting, supporting or transporting people, or for lifting or supporting loads over people.



Model MP-W05AA3SAAB

1100 lb. Short Drum Winch w/ Auto Brake

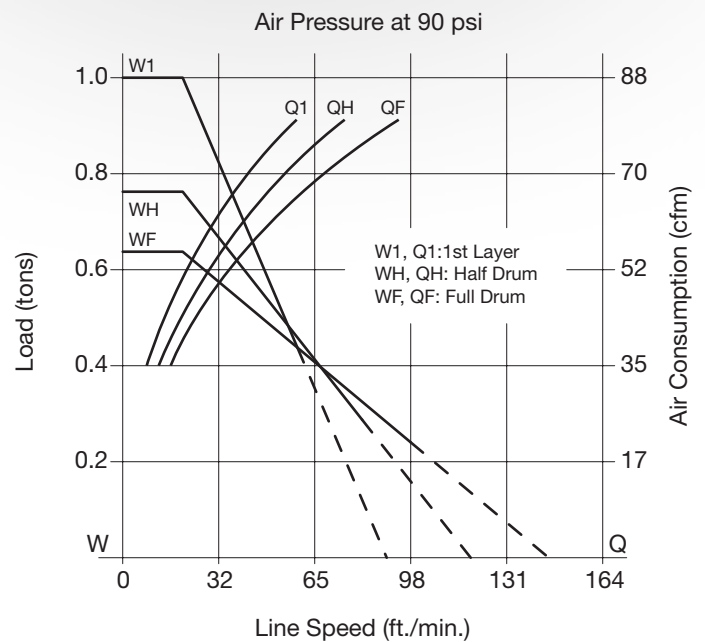


The “Baby Tugger”, as its known, is capable of lifting 1100 lbs. This compact tugger is designed for low air consumption and high efficiency. The MP-W05AA3 series tuggers feature cast aluminum bodies. Ideal for gasoline tank farm construction, water tower erection, petrochemical, marine and oil platform work. Unique to the MP-W05AA3 series is that the 4-piston motor can be rotated, allowing for ceiling or wall mounting applications and for controlled maneuvering of the load.

The MP-W05AA3 series features a 3-piece valve assembly. This allows technicians to repair the throttle valve or rotary valve independently of each other. More importantly, they can do so without having to remove the entire motor from the frame assembly, unlike competitive units on the market.

Specifications

Capacity	1100 lbs.
Line Speed at Capacity	62 ft.
Cable Capacity	195 ft. of 1/4"
	145 ft. of 5/16"
Weight w/o Rope	104 lbs.
Air Inlet Thread	3/4"



This equipment is not to be used for lifting, supporting or transporting people, or for lifting or supporting loads over people.



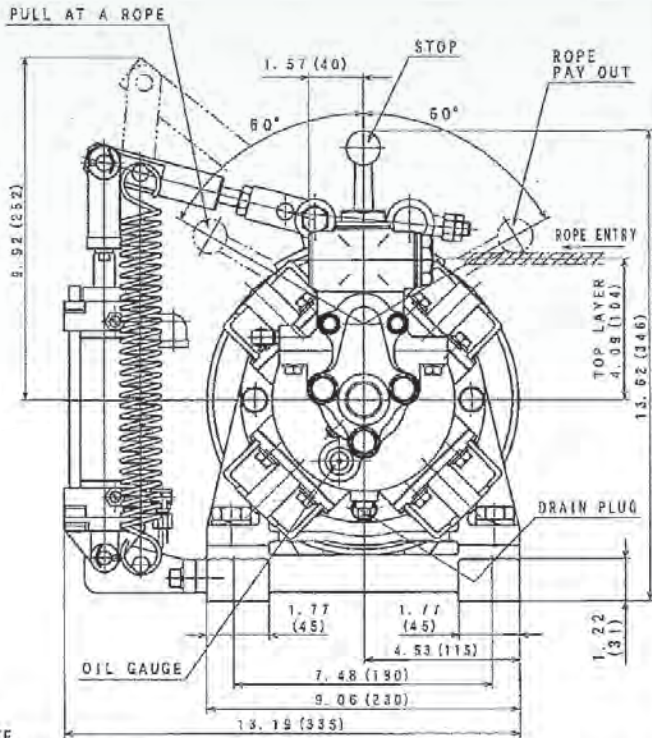
Model MP-W05AA3SAAB

1100 lb. Short Drum Winch w/ Auto Brake

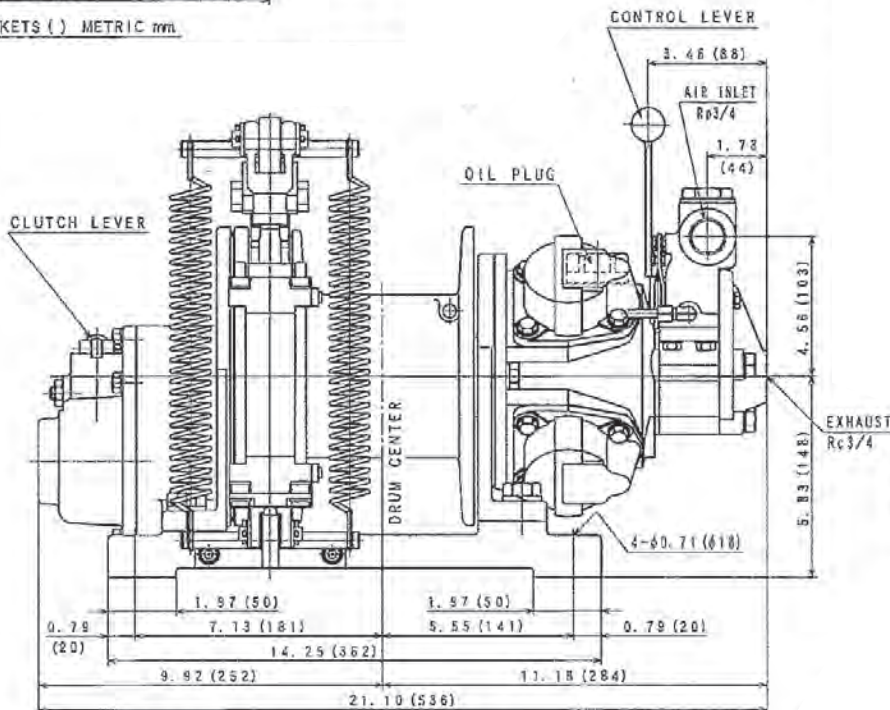
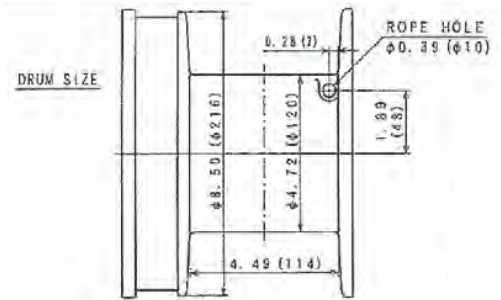
SPECIFICATIONS (at Half Drum)

Motor Output	Capacity	Line Speed at Capacity	Cable Capacity	Weight w/o Rope	Avg. Air Consumption @ 90 psi
2.3 hp	1100 lbs.	62 ft./min.	5/16 in. x 145 ft.	104 lbs.	71 cfm

Drawing Dimensions in Inches (millimeters listed in brackets)



NOTE
DIMENSIONS ARE INCHES, BRACKETS () METRIC mm.



This equipment is not to be used for lifting, supporting or transporting people, or for lifting or supporting loads over people.



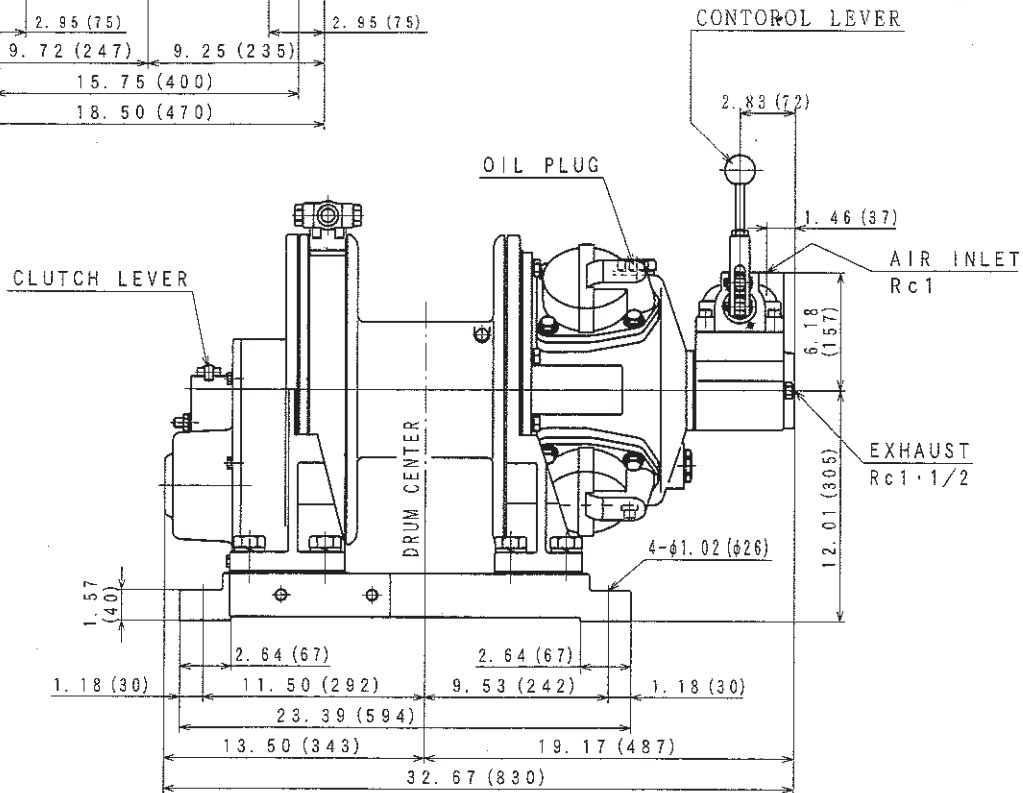
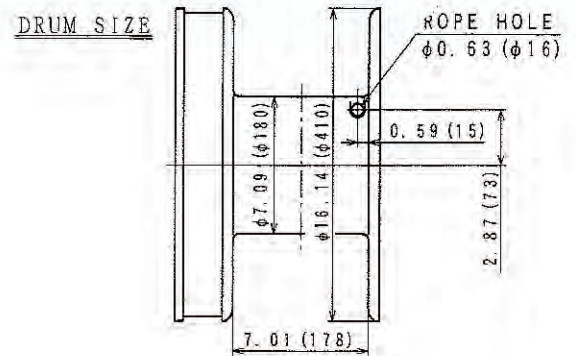
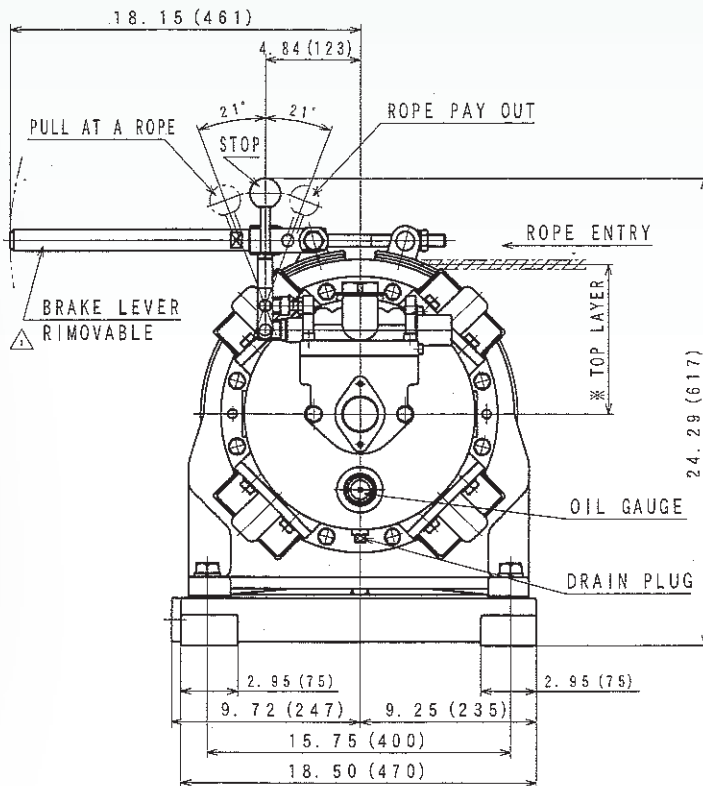
Model MP-W10220SACMB

2200 lb. Short Drum Winch w/ Manual Brake

SPECIFICATIONS (at Half Drum)

Motor Output	Capacity	Line Speed at Capacity	Cable Capacity	Weight w/o Rope	Avg. Air Consumption @ 90 psi
9.6 hp	2200 lbs.	121 ft./min.	3/8 in. x 670 ft. 7/16 in. x 475 ft. 1/2 in. x 370 ft.	566 lbs.	191 cfm

Drawing Dimensions in Inches (millimeters listed in brackets)



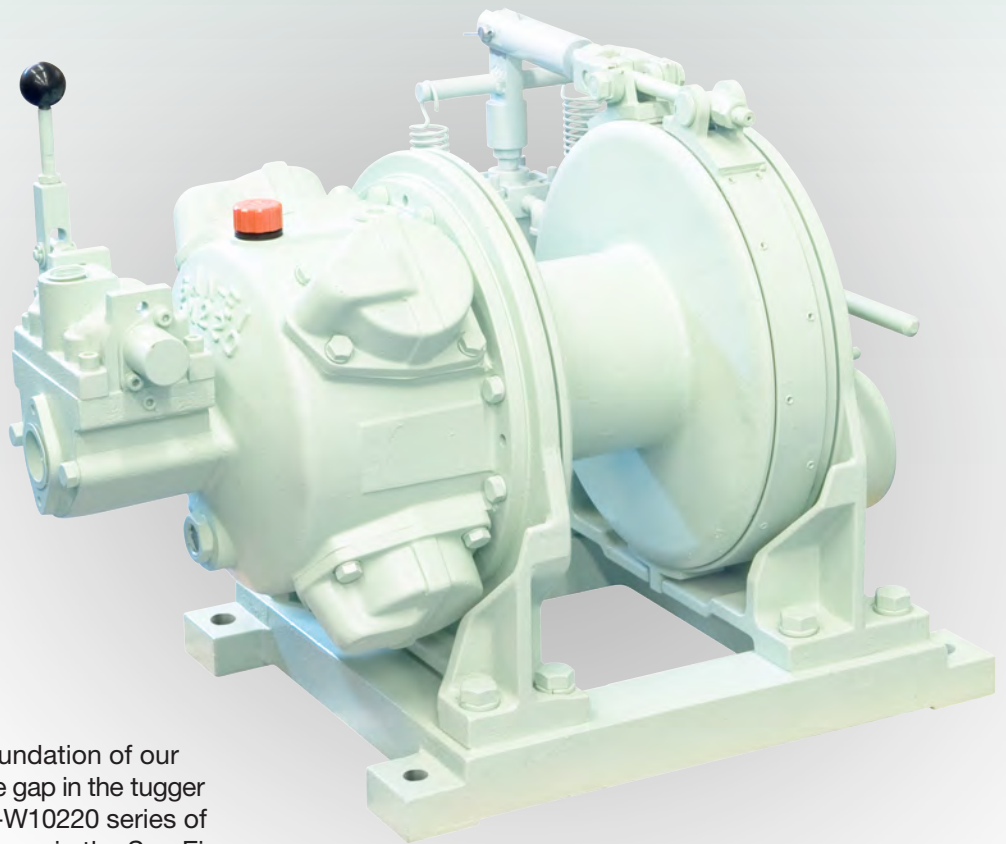
This equipment is not to be used for lifting, supporting or transporting people, or for lifting or supporting loads over people.



San-Ei Air Winches

Model MP-W10220SAAB

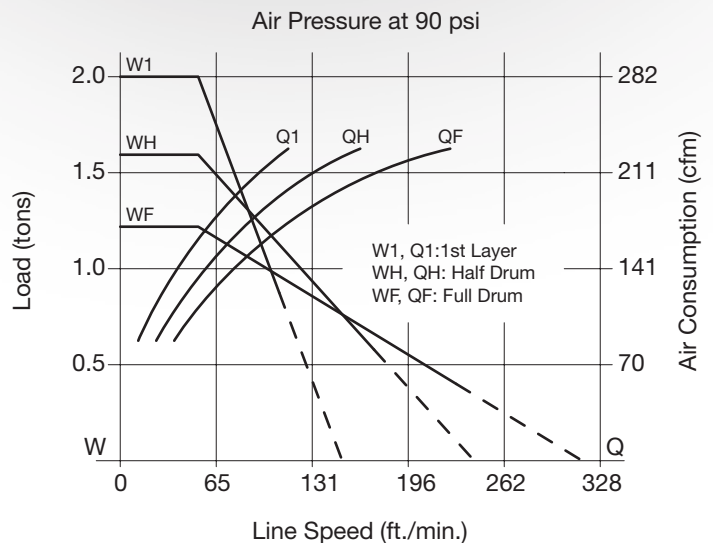
2200 lb. Short Drum Winch w/ Auto Brake



The MP-W10220 series serves as the foundation of our product line. This San-Ei tugger bridges the gap in the tugger line. Boasting a 2200 lb. capacity, the MP-W10220 series of tuggers are very dependable and have been in the San-Ei product line from the beginning. While we've updated the forward/reverse valve design from the original, the rest of the MP-W10220 series remains the same reliable 4-piston air motor, gears, drum and brake mechanism that you expect when purchasing a tugger.

Specifications

Capacity	2200 lbs.
Line Speed at Capacity	121 ft.
Cable Capacity	670 ft. of 3/8"
	475 ft. of 7/16"
	375 ft. of 1/2"
Weight w/o Rope	588 lbs.
Air Inlet Thread	1"



This equipment is not to be used for lifting, supporting or transporting people, or for lifting or supporting loads over people.



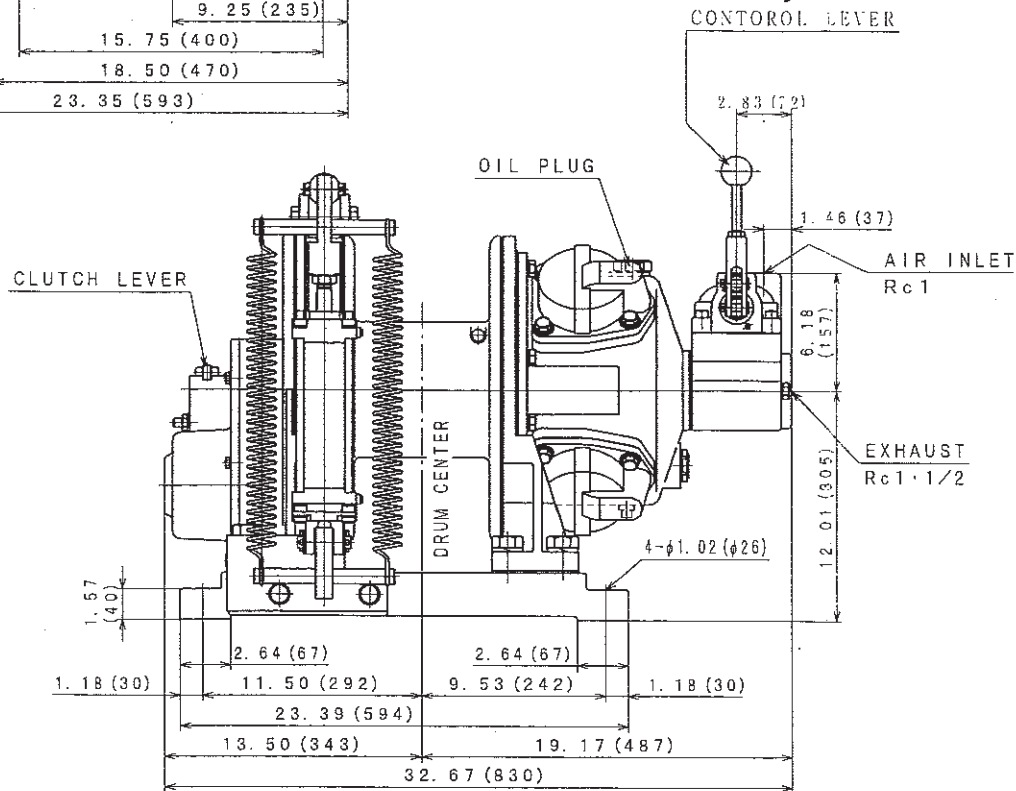
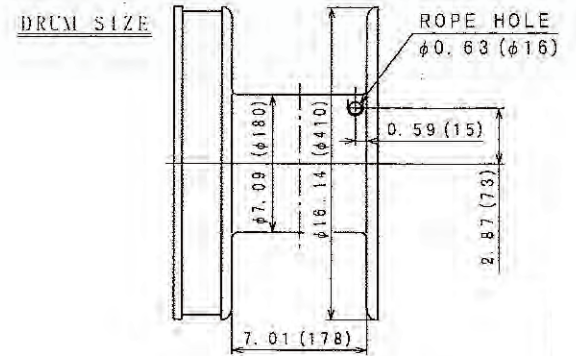
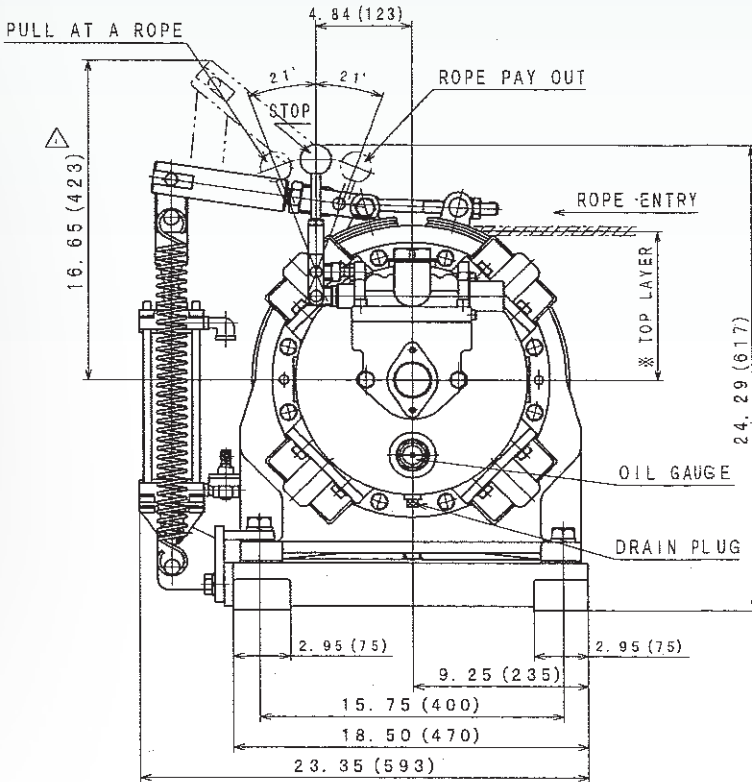
Model MP-W10220SAAB

2200 lb. Short Drum Winch w/ Auto Brake

SPECIFICATIONS (at Half Drum)

Motor Output	Capacity	Line Speed at Capacity	Cable Capacity	Weight w/o Rope	Avg. Air Consumption @ 90 psi
9.6 hp	2200 lbs.	121 ft./min.	3/8 in. x 670 ft. 7/16 in. x 475 ft. 1/2 in. x 375 ft.	588 lbs.	191 cfm

Drawing Dimensions in Inches (millimeters listed in brackets)

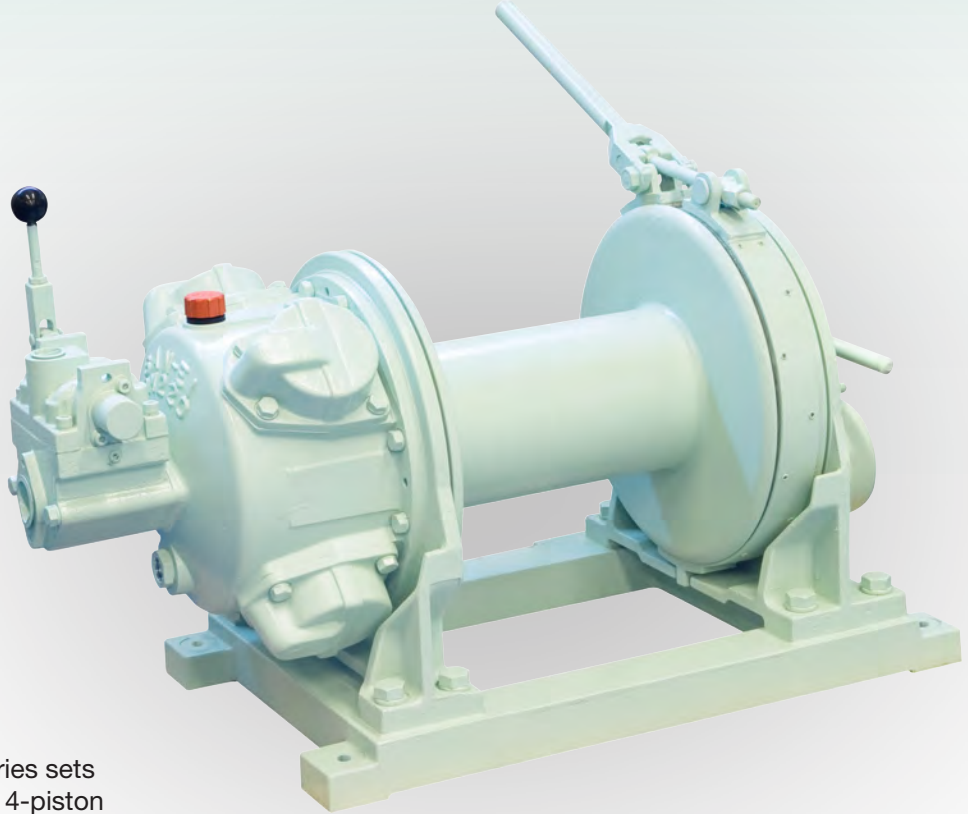


This equipment is not to be used for lifting, supporting or transporting people, or for lifting or supporting loads over people.



Model MP-W10220LACMB

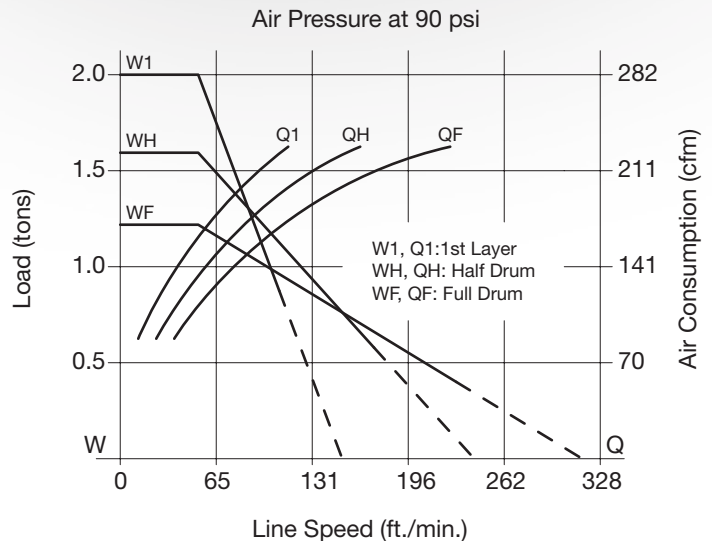
2200 lb. Long Drum Winch w/ Manual Brake



An original flagship model, the MP-W10220 series sets itself apart from its competition with its reliable 4-piston air motor, gears, drum and brake mechanism. Boasting a capacity of 2200 lbs. found in our original design and with feedback from our valued customers we updated the forward/reverse valve design; making the MP-W10220 series the most versatile tugger in its class.

Specifications

- Capacity 2200 lbs.
- Line Speed at Capacity 121 ft.
- Cable Capacity 1340 ft. of 3/8"
950 ft. of 7/16"
750 ft. of 1/2"
- Weight w/o Rope 608 lbs.
- Air Inlet Thread 1"



This equipment is not to be used for lifting, supporting or transporting people, or for lifting or supporting loads over people.



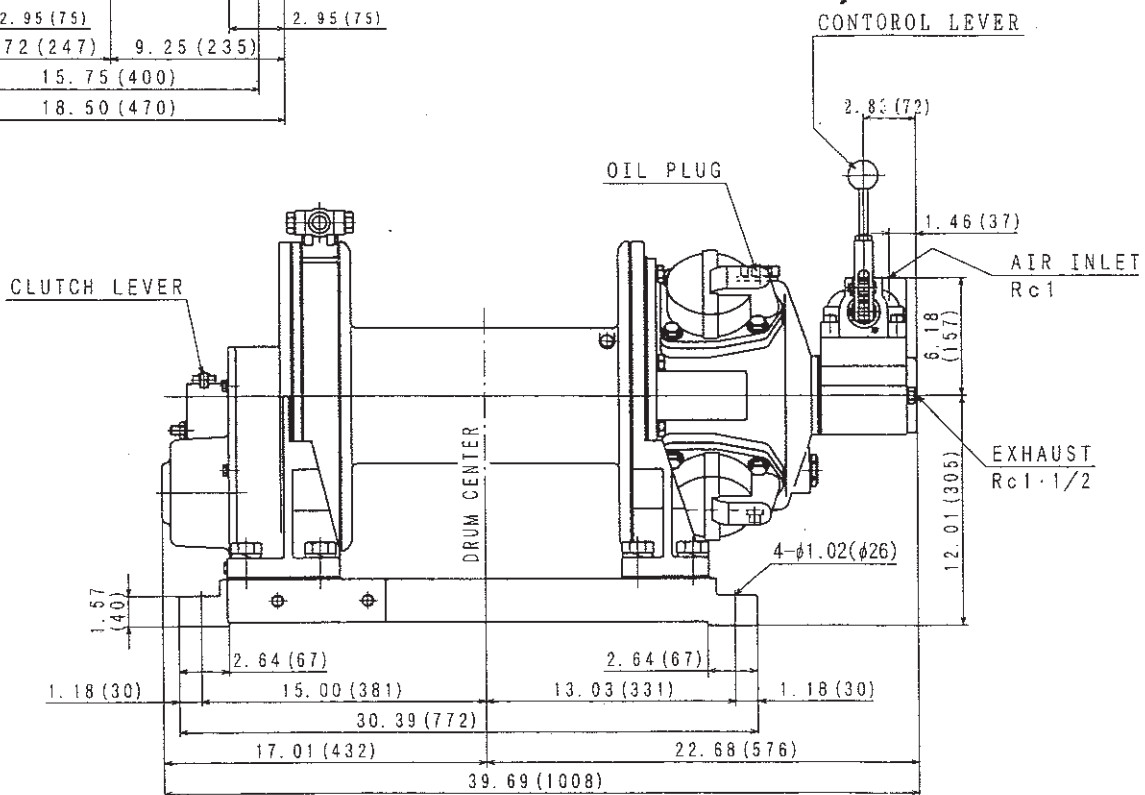
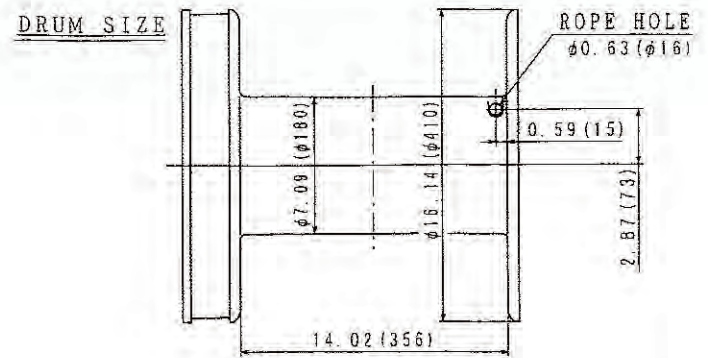
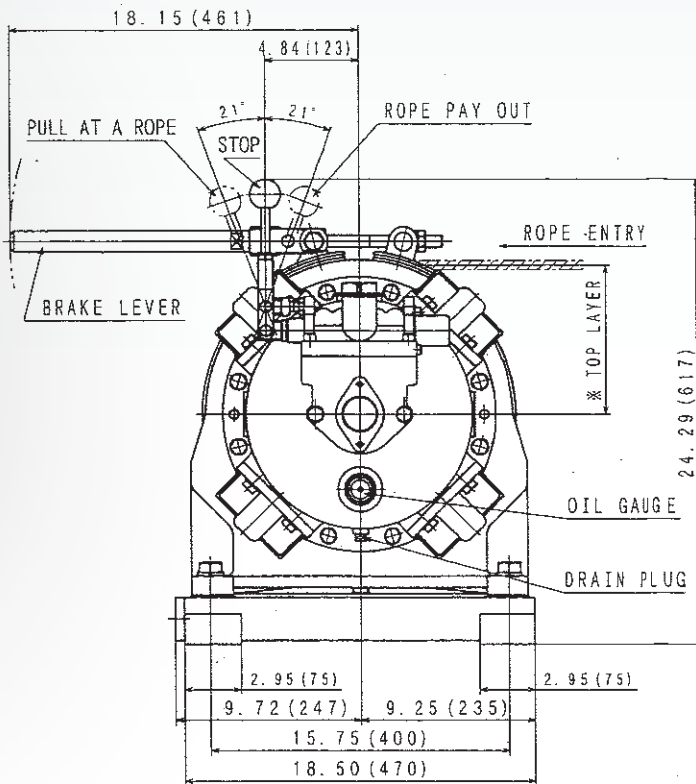
Model MP-W10220LACMB

2200 lb. Long Drum Winch w/ Manual Brake

SPECIFICATIONS (at Half Drum)

Motor Output	Capacity	Line Speed at Capacity	Cable Capacity	Weight w/o Rope	Avg. Air Consumption @ 90 psi
9.6 hp	2200 lbs.	121 ft./min.	3/8 in. x 1340 ft. 7/16 in. x 950 ft. 1/2 in. x 750 ft.	608 lbs.	191 cfm

Drawing Dimensions in Inches (millimeters listed in brackets)



This equipment is not to be used for lifting, supporting or transporting people, or for lifting or supporting loads over people.



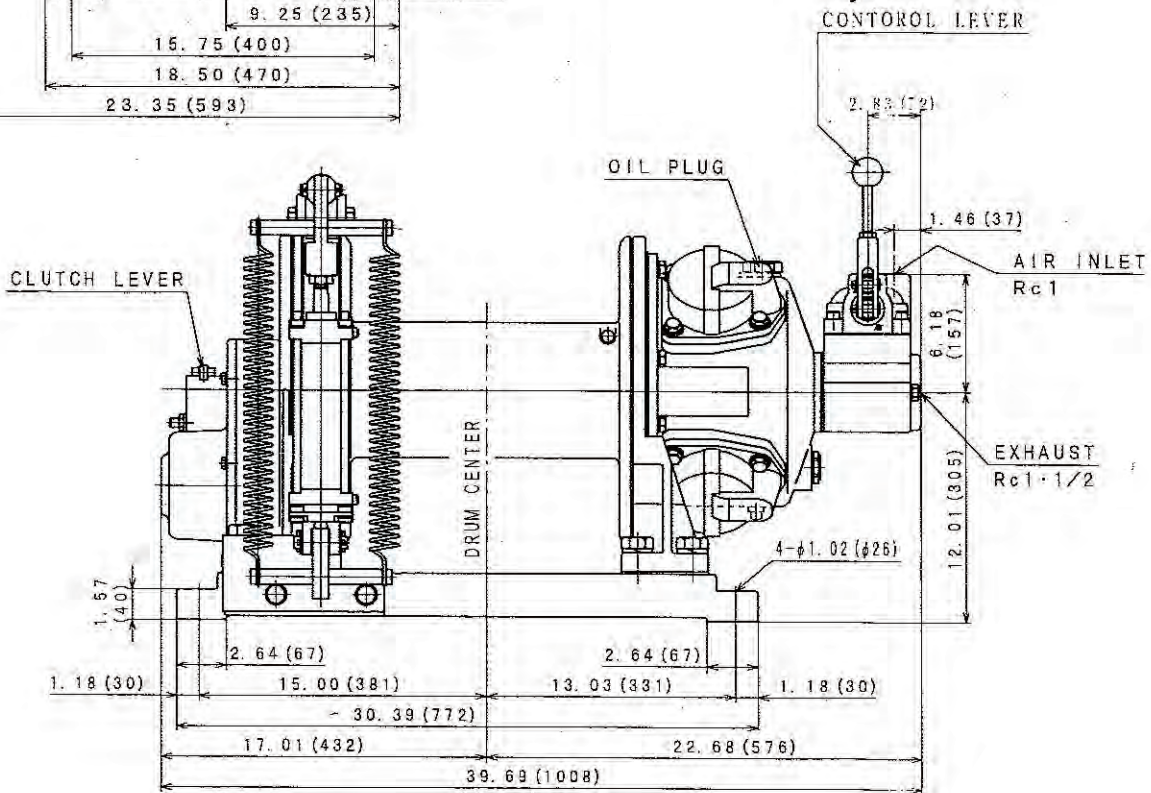
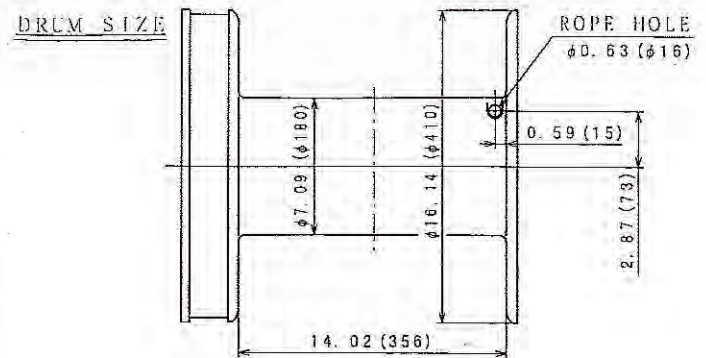
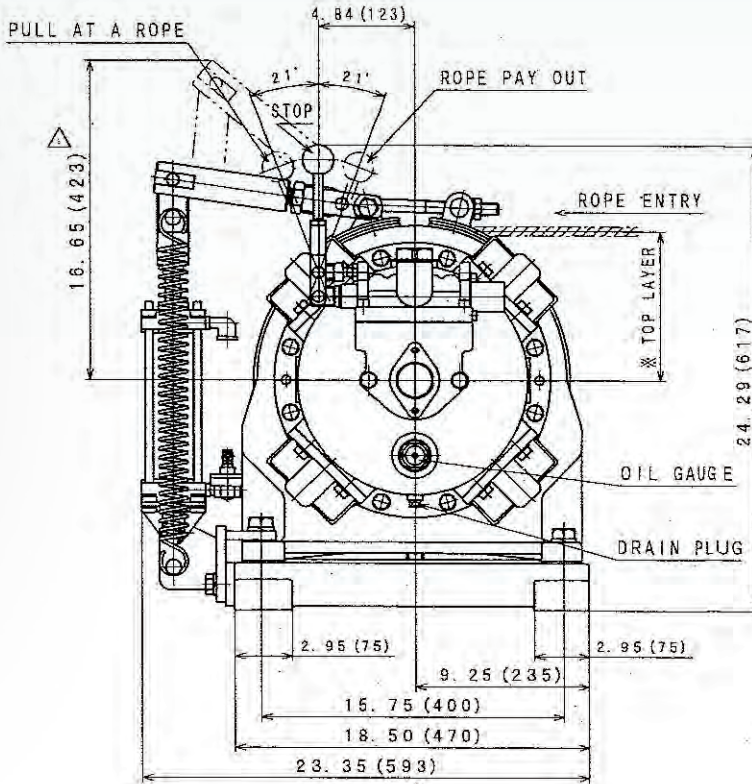
Model MP-W10220LAAB

2200 lb. Long Drum Winch w/ Auto Brake

SPECIFICATIONS (at Half Drum)

Motor Output	Capacity	Line Speed at Capacity	Cable Capacity	Weight w/o Rope	Avg. Air Consumption @ 90 psi
9.6 hp	2200 lbs.	121 ft./min.	3/8 in. x 1340 ft. 7/16 in. x 950 ft. 1/2 in. x 750 ft.	635 lbs.	191 cfm

Drawing Dimensions in Inches (millimeters listed in brackets)

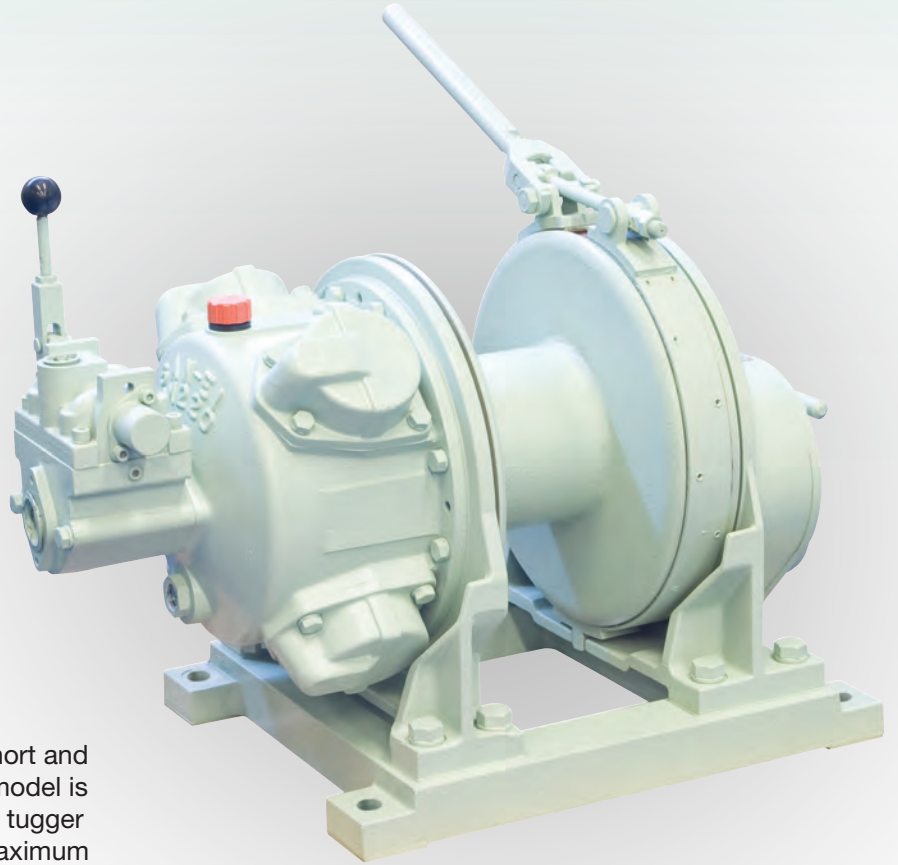


This equipment is not to be used for lifting, supporting or transporting people, or for lifting or supporting loads over people.

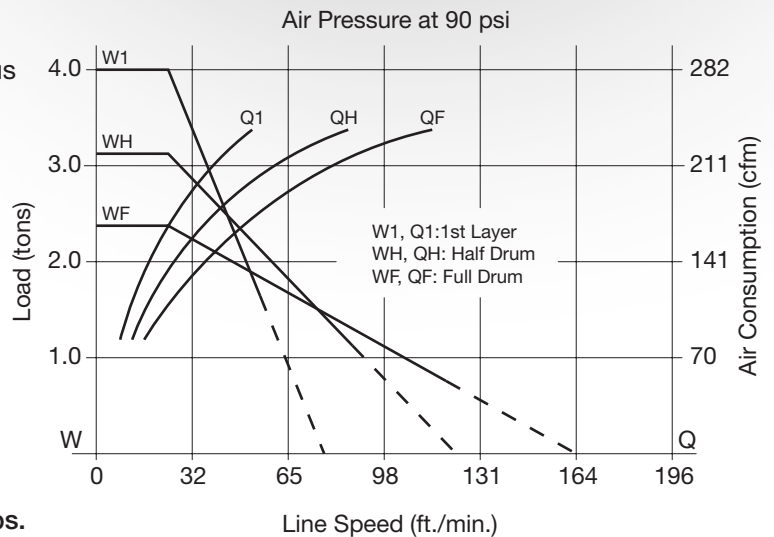


Model MP-W20220SACMB

4400 lb. Short Drum Winch w/ Manual Brake



The MP-W20220 series tuggers are available in short and long drum configuration. This San-Ei short drum model is the most durable and dependable in the field. Our tugger can be mounted in many confined areas where maximum lifting and rope capacity is required due to its extremely small footprint. The 4-piston motor allows for controlled load placement and reliable operation in the most rigorous conditions.



Specifications

- Capacity 4400 lbs.
- Line Speed at Capacity 62 ft.
- Cable Capacity 475 ft. of 7/16"
375 ft. of 1/2"
- Weight w/o Rope 586 lbs.
- Air Inlet Thread 1"

This equipment is not to be used for lifting, supporting or transporting people, or for lifting or supporting loads over people.



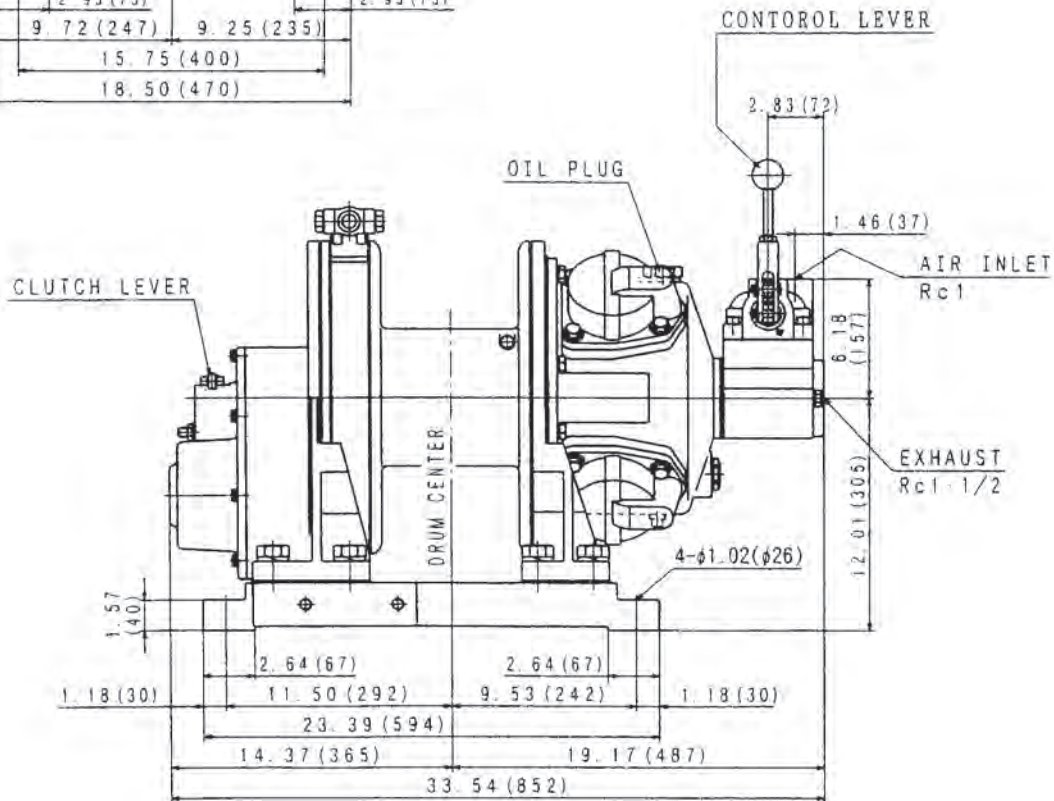
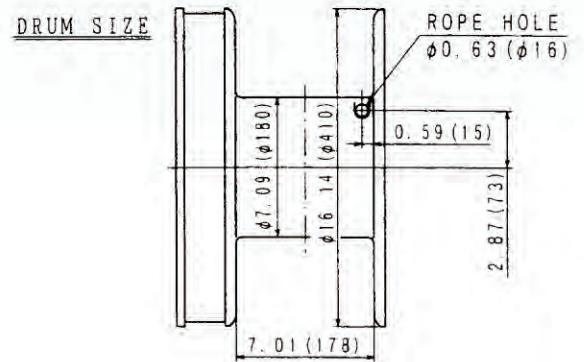
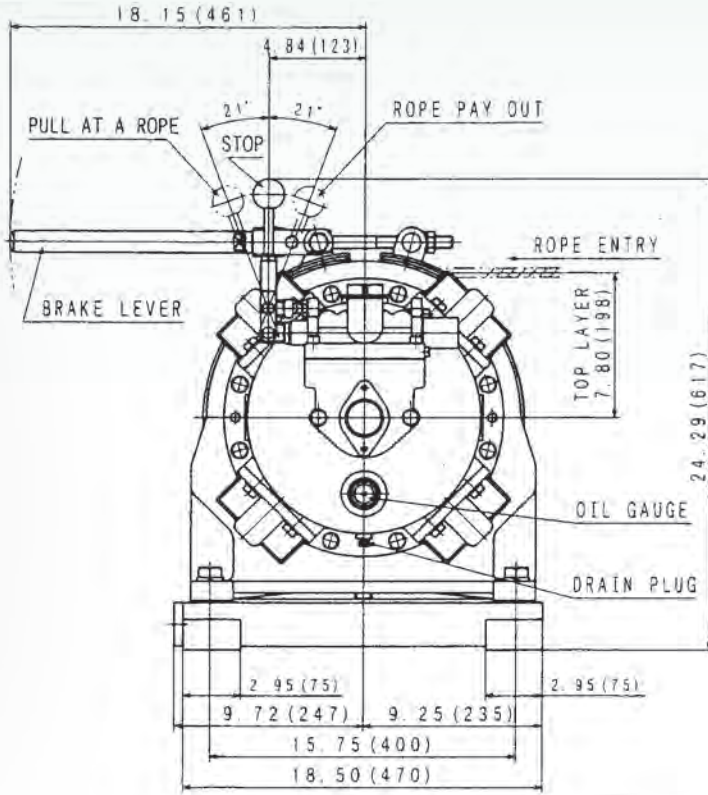
Model MP-W20220SACMB

4400 lb. Short Drum Winch w/ Manual Brake

SPECIFICATIONS (at Half Drum)

Motor Output	Capacity	Line Speed at Capacity	Cable Capacity	Weight w/o Rope	Avg. Air Consumption @ 90 psi
9.6 hp	4400 lbs.	62 ft./min.	7/16 in. x 475 ft. 1/2 in. x 375 ft.	586 lbs.	191 cfm

Drawing Dimensions in Inches (millimeters listed in brackets)

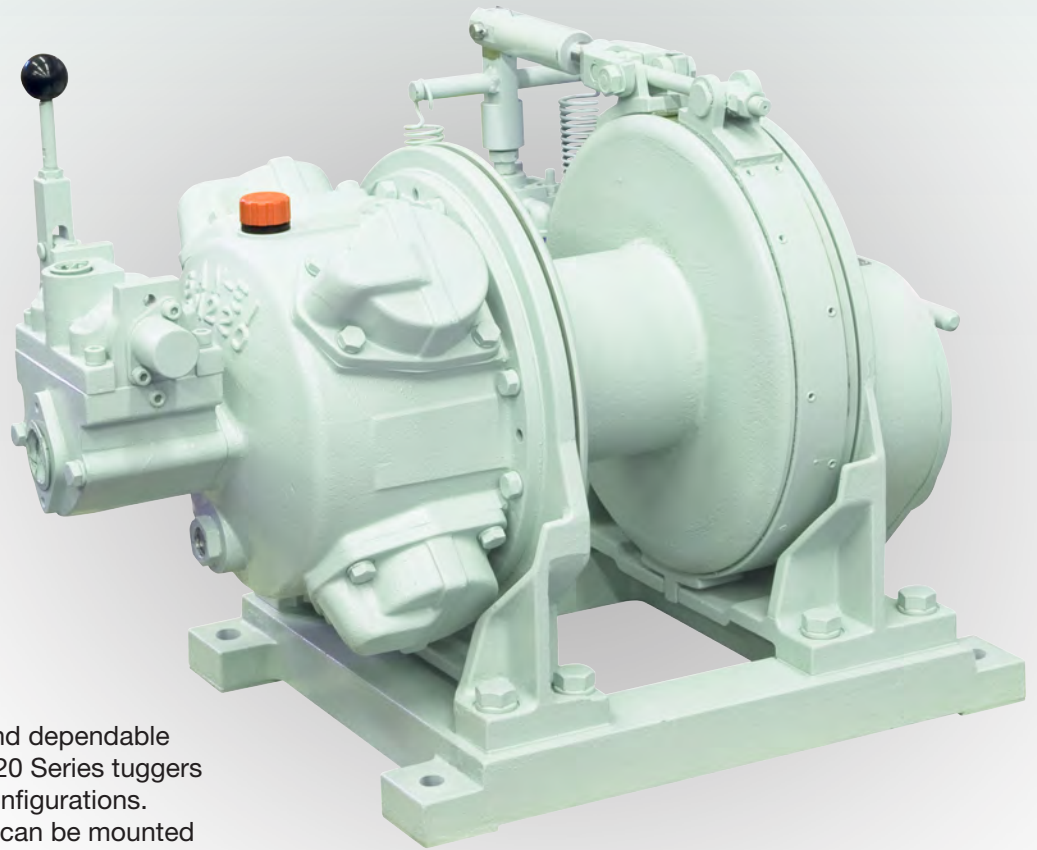


This equipment is not to be used for lifting, supporting or transporting people, or for lifting or supporting loads over people.

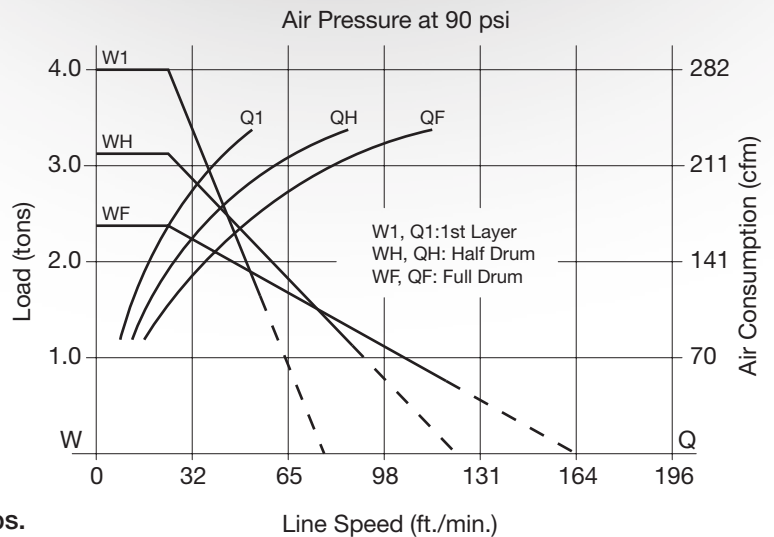


Model MP-W20220SAAB

4400 lb. Short Drum Winch w/ Auto Brake



San-Ei tuggers are the most durable and dependable tuggers in the field today. The MP-20220 Series tuggers are available in short and long drum configurations. Boasting a small foot print, this tugger can be mounted in many confined areas where maximum lifting and rope capacity is required. The 4-piston motor allows for controlled load placement and reliable operation in the most rigorous conditions.



Specifications

- Capacity 4400 lbs.
- Line Speed at Capacity 62 ft.
- Cable Capacity 475 ft. of 7/16"
375 ft. of 1/2"
- Weight w/o Rope 608 lbs.
- Air Inlet Thread 1"

This equipment is not to be used for lifting, supporting or transporting people, or for lifting or supporting loads over people.



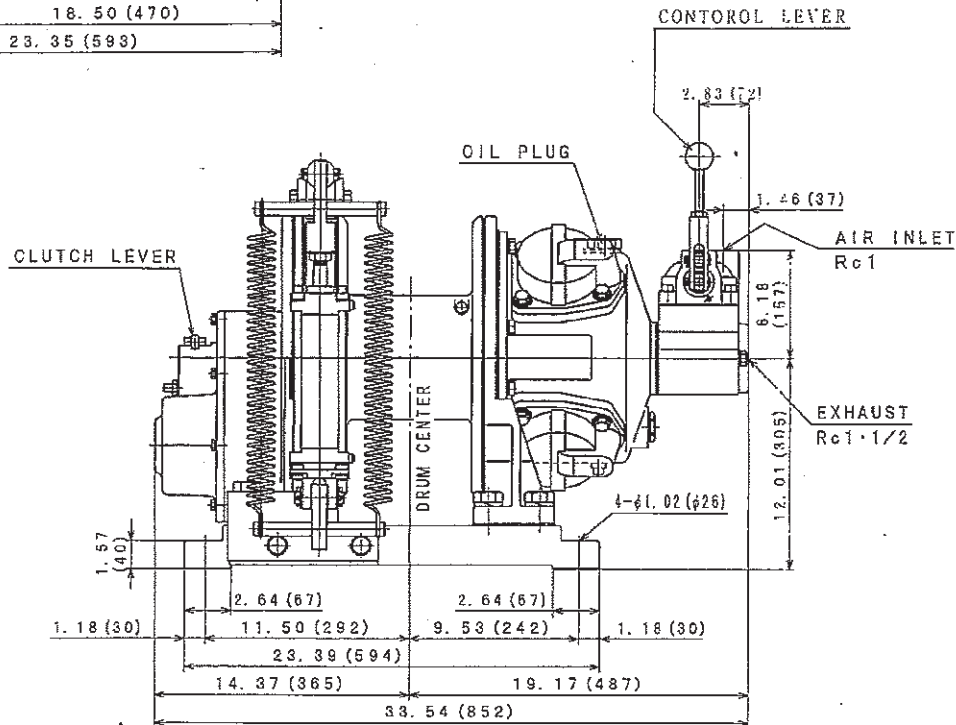
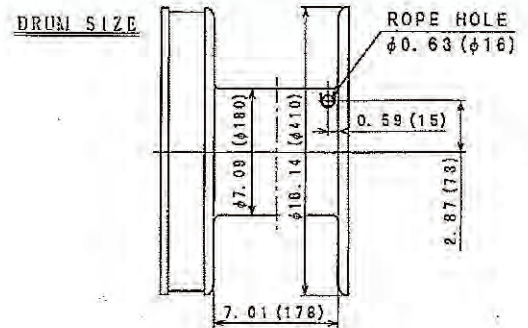
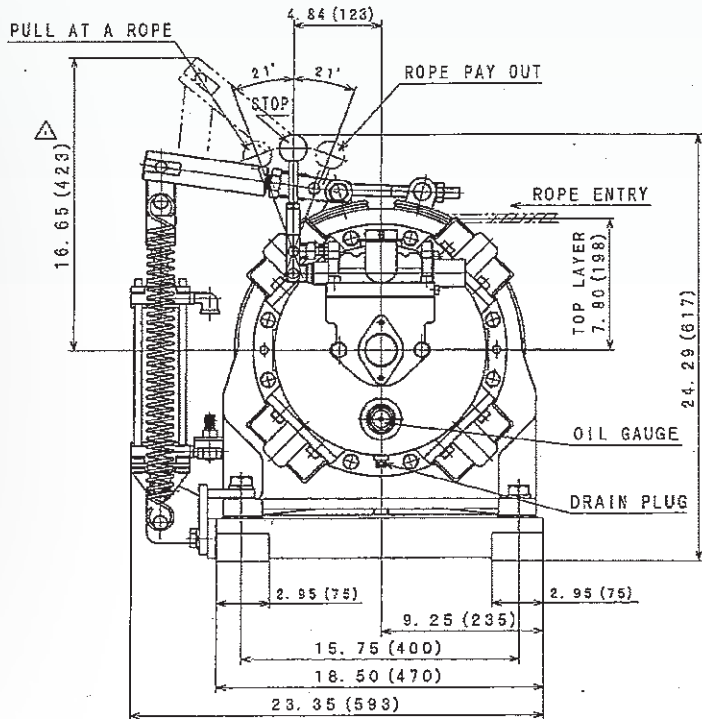
Model MP-W20220SAAB

4400 lb. Short Drum Winch w/ Auto Brake

SPECIFICATIONS (at Half Drum)

Motor Output	Capacity	Line Speed at Capacity	Cable Capacity	Weight w/o Rope	Avg. Air Consumption @ 90 psi
9.6 hp	4400 lbs.	62 ft./min.	7/16 in. x 475 ft. 1/2 in. x 375 ft.	608 lbs.	191 cfm

Drawing Dimensions in Inches (millimeters listed in brackets)

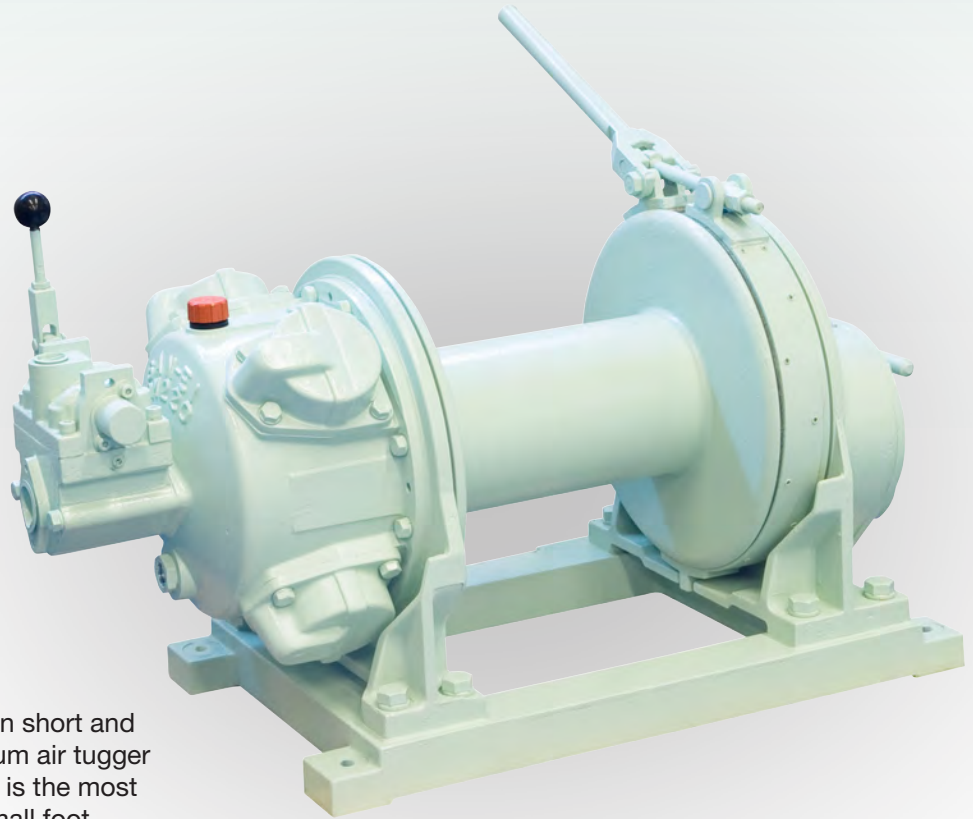


This equipment is not to be used for lifting, supporting or transporting people, or for lifting or supporting loads over people.

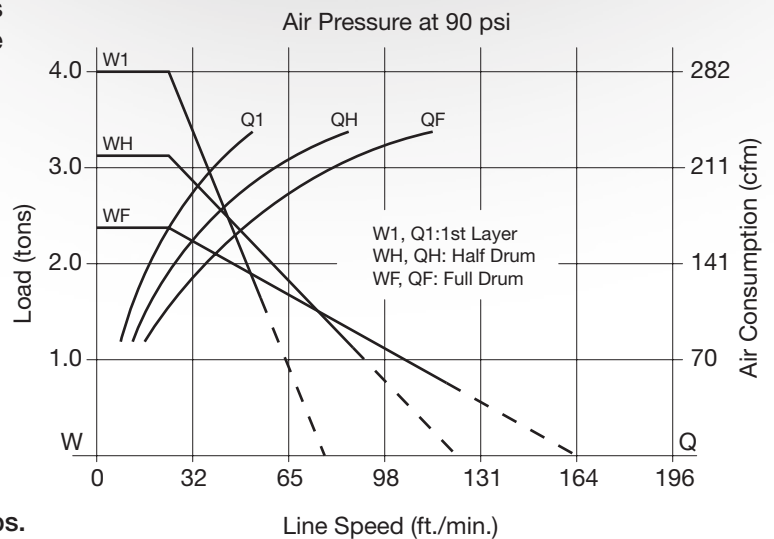


Model MP-W20220LACMB

4400 lb. Long Drum Winch w/ Manual Brake



Our MP-W20220 series tuggers are available in short and long drum configuration. The 4400 lb. long drum air tugger is our most popular model. This San-Ei model is the most durable and dependable in the field. With a small foot print, this tugger can be mounted in many confined areas where maximum lifting and rope capacity is required. The 4-piston motor allows for controlled load placement and reliable operation in the most rigorous conditions.



Specifications

Capacity 4400 lbs.
Line Speed at Capacity 62 ft.
Cable Capacity 950 ft. of 7/16"
. 750 ft. of 1/2"
Weight w/o Rope 632 lbs.
Air Inlet Thread 1"

This equipment is not to be used for lifting, supporting or transporting people, or for lifting or supporting loads over people.



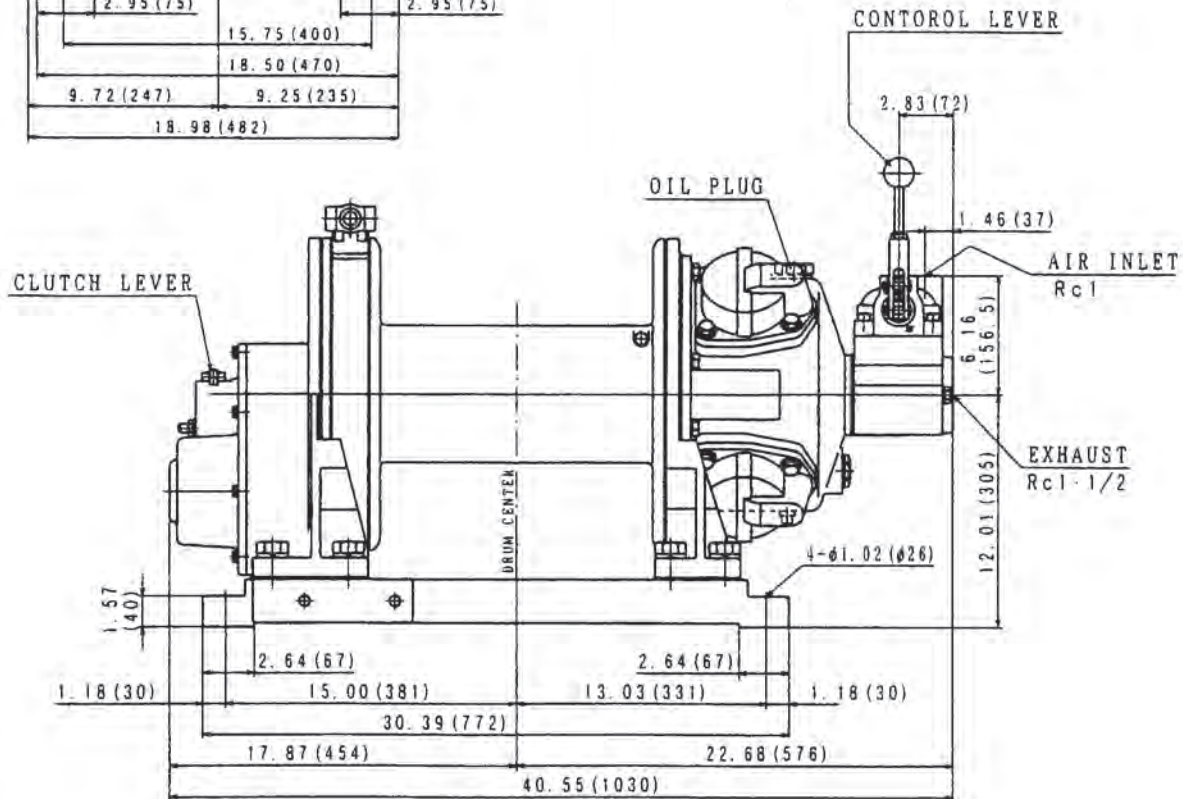
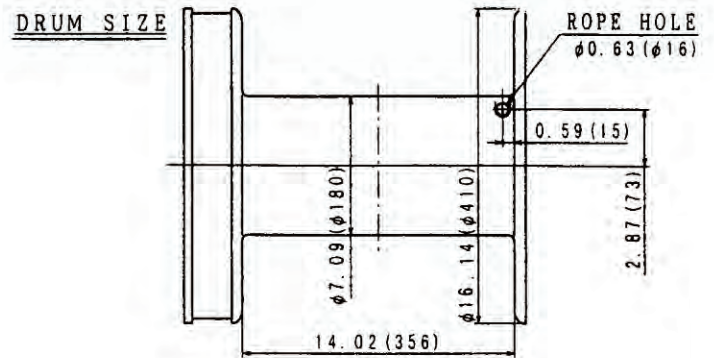
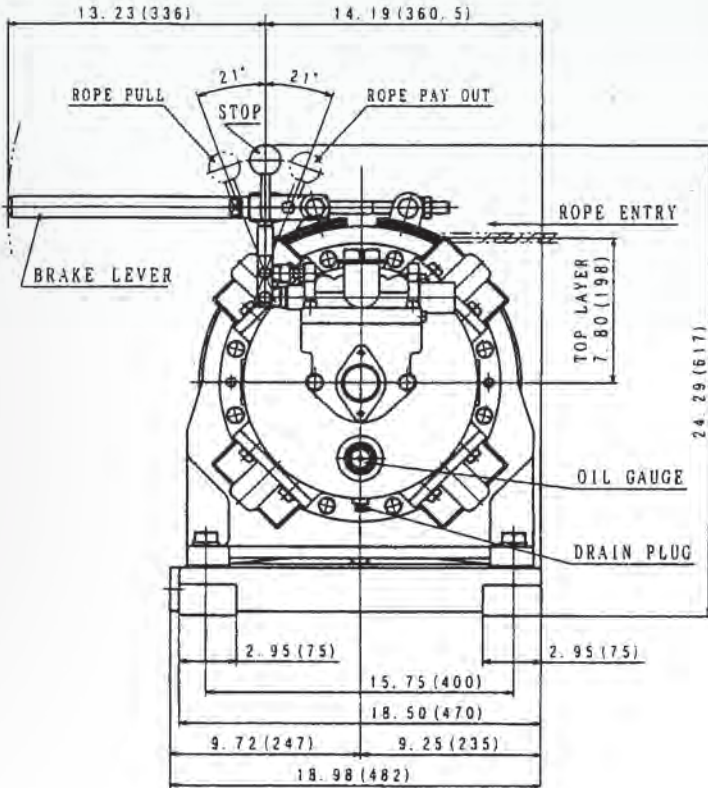
Model MP-W20220LACMB

4400 lb. Long Drum Winch w/ Manual Brake

SPECIFICATIONS (at Half Drum)

Motor Output	Capacity	Line Speed at Capacity	Cable Capacity	Weight w/o Rope	Avg. Air Consumption @ 90 psi
9.6 hp	4400 lbs.	62 ft./min.	7/16 in. x 950 ft. 1/2 in. x 750 ft.	632 lbs.	191 cfm

Drawing Dimensions in Inches (millimeters listed in brackets)



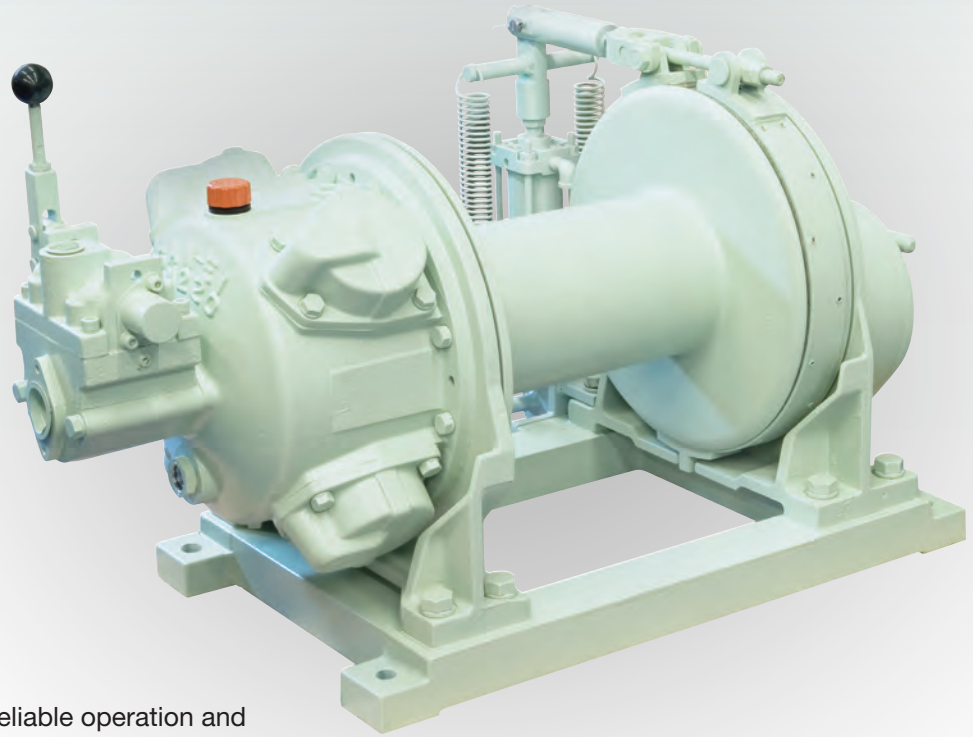
This equipment is not to be used for lifting, supporting or transporting people, or for lifting or supporting loads over people.



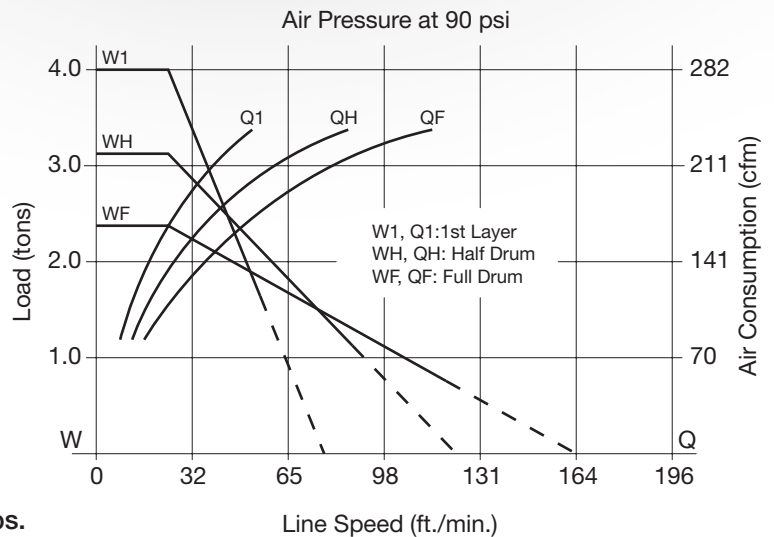
San-Ei Air Winches

Model MP-W20220LAAB

4400 lb. Long Drum Winch w/ Auto Brake



The MP-W20220 series tuggers offer reliable operation and controlled load placement in the most rigorous conditions. Featuring a 4400 lb. capacity, 4-piston motor design, the MP-W20220 series is available in short and long drum configurations. They are our most popular series of tuggers, due in part to being the most durable in the field. With a small foot print, this tugger can be mounted in many confined areas where maximum lifting and rope capacity is required.



Specifications

- Capacity 4400 lbs.
- Line Speed at Capacity 62 ft.
- Cable Capacity 950 ft. of 7/16"
750 ft. of 1/2"
- Weight w/o Rope 654 lbs.
- Air Inlet Thread 1"

This equipment is not to be used for lifting, supporting or transporting people, or for lifting or supporting loads over people.



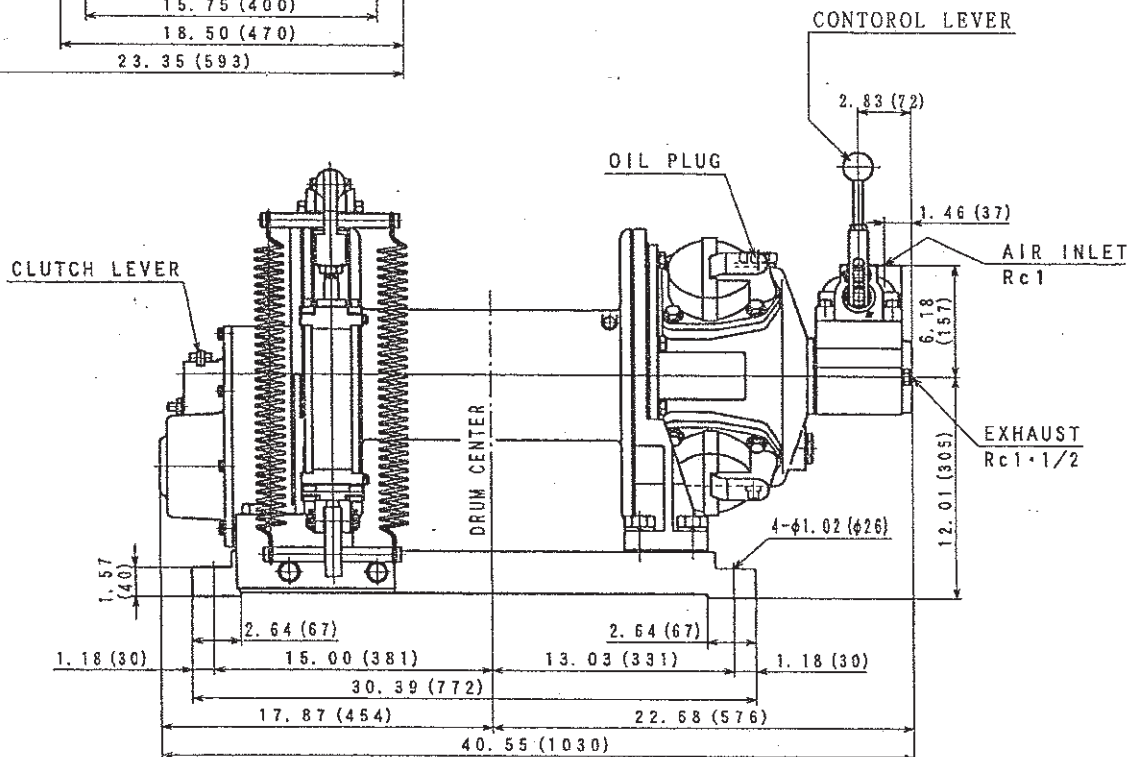
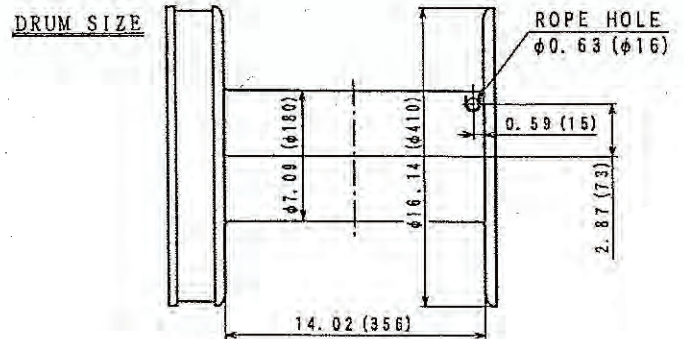
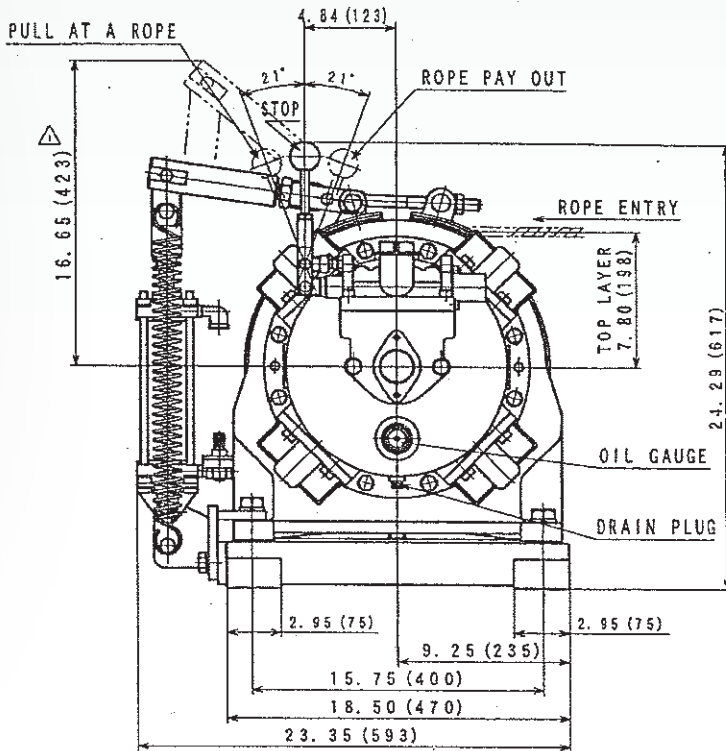
Model MP-W20220LAAB

4400 lb. Long Drum Winch w/ Auto Brake

SPECIFICATIONS (at Half Drum)

Motor Output	Capacity	Line Speed at Capacity	Cable Capacity	Weight w/o Rope	Avg. Air Consumption @ 90 psi
9.6 hp	4400 lbs.	62 ft./min.	7/16 in. x 950 ft. 1/2 in. x 750 ft.	654 lbs.	191 cfm

Drawing Dimensions in Inches (millimeters listed in brackets)

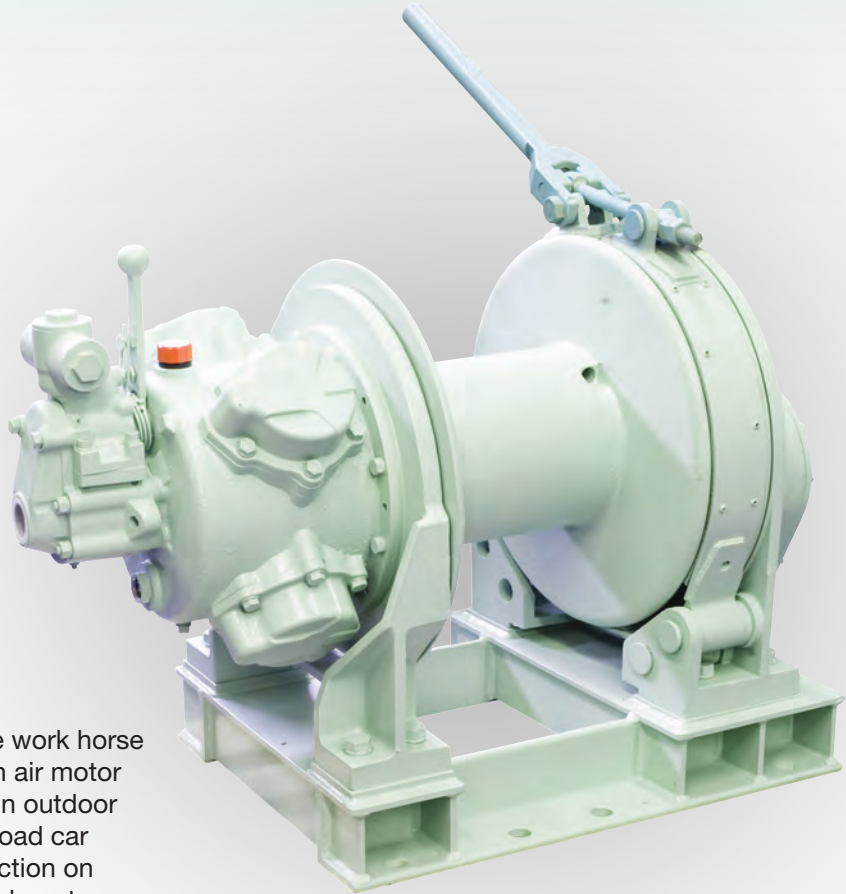


This equipment is not to be used for lifting, supporting or transporting people, or for lifting or supporting loads over people.



Model MP-W3036SACMB

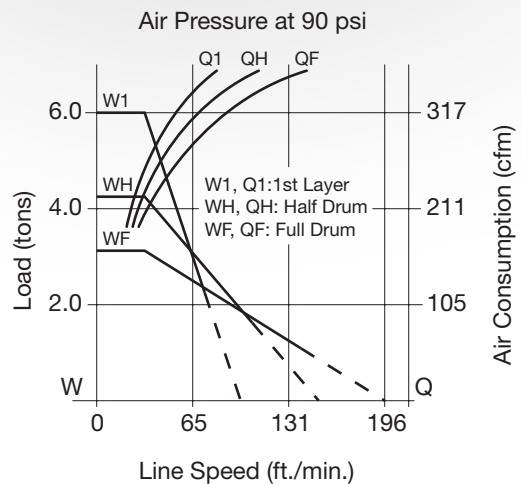
6600 lb. Short Drum Winch w/ Manual Brake



The MP-W3036 series tugger is considered the work horse of the San-Ei tugger line. With its large 4-piston air motor and rugged construction, this unit is preferred in outdoor applications such as oil platform work and railroad car moving applications. Extra heavy-duty construction on this unit delivers return on investment. Ideal for long term rental applications in a variety of inclement weather. Large footprint for dependable mounting.

Specifications

- Capacity 6600 lbs.
- Line Speed at Capacity 62 ft.
- Cable Capacity 525 ft. of 5/8"
- Weight w/o Rope 1035 lbs.
- Air Inlet Thread 1-1/4"



This equipment is not to be used for lifting, supporting or transporting people, or for lifting or supporting loads over people.



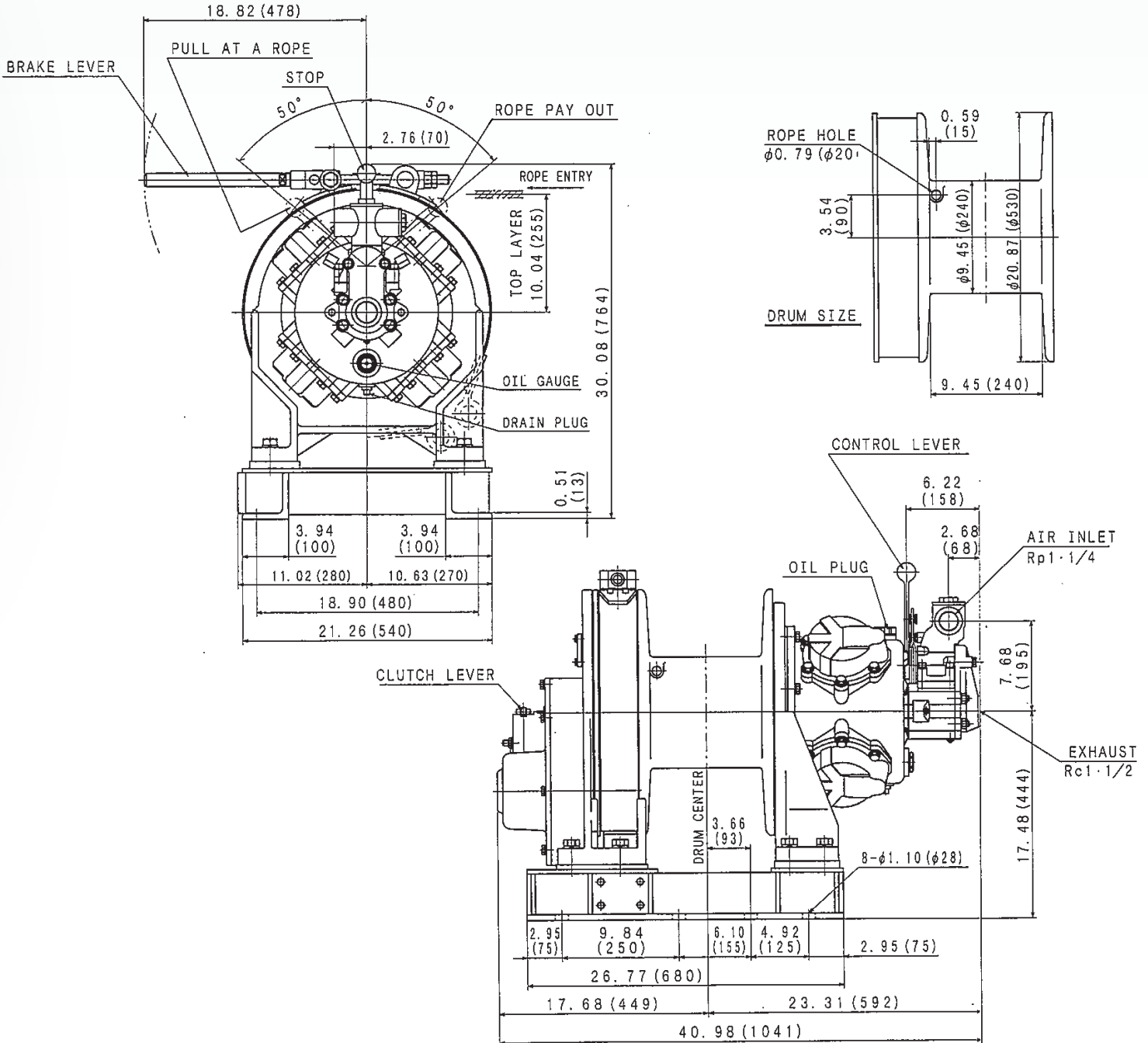
Model MP-W3036SACMB

6600 lb. Short Drum Winch w/ Manual Brake

SPECIFICATIONS (at Half Drum)

Motor Output	Capacity	Line Speed at Capacity	Cable Capacity	Weight w/o Rope	Avg. Air Consumption @ 90 psi
16.0 hp	6600 lbs.	121 ft./min.	5/8 in. x 525 ft.	1035 lbs.	318 cfm

Drawing Dimensions in Inches (millimeters listed in brackets)



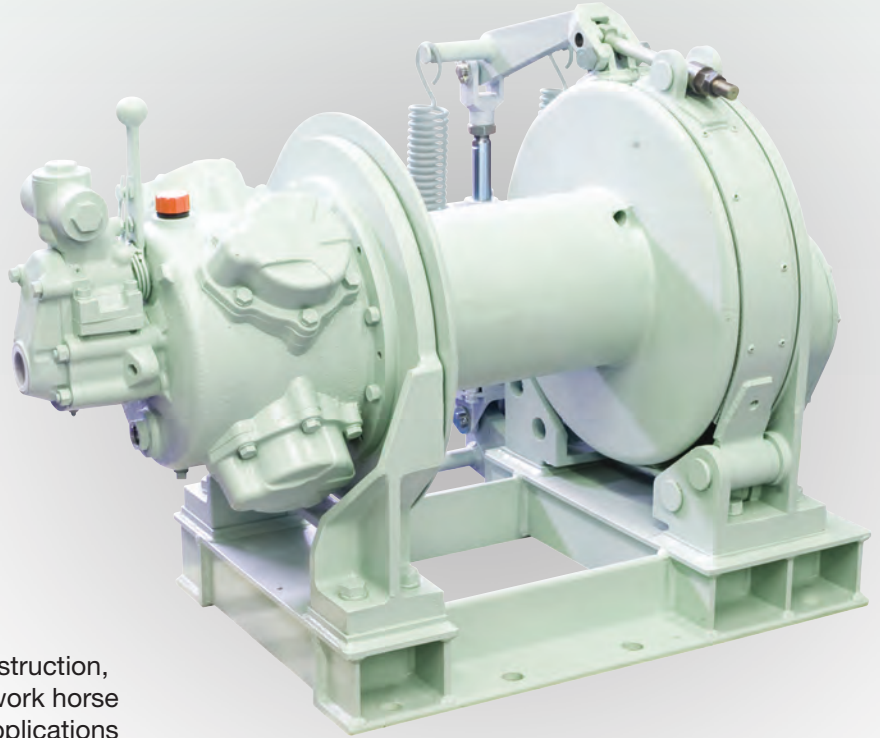
This equipment is not to be used for lifting, supporting or transporting people, or for lifting or supporting loads over people.



San-Ei Air Winches

Model MP-W3036SAAB

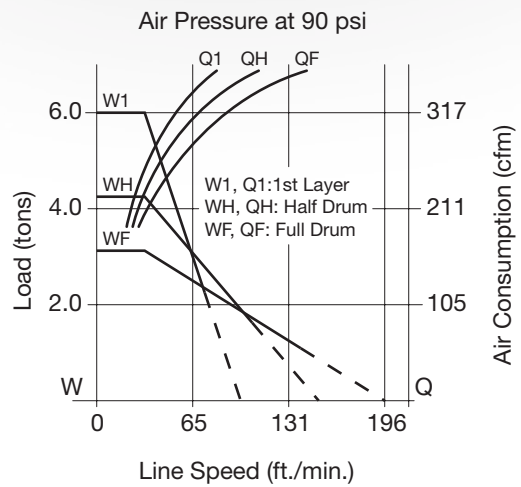
6600 lb. Short Drum Winch w/ Auto Brake



With its large 4-piston air motor and rugged construction, the MP-W3036 series tugger is considered the work horse of the San-Ei tugger line. Preferred in outdoor applications such as oil platform work and railroad car moving applications, its extra heavy-duty construction delivers return on investment and is ideal for long term rental applications in a variety of inclement weather. Features a large footprint for dependable mounting.

Specifications

- Capacity 6600 lbs.
- Line Speed at Capacity 62 ft.
- Cable Capacity 525 ft. of 5/8"
- Weight w/o Rope 1066 lbs.
- Air Inlet Thread 1-1/4"



This equipment is not to be used for lifting, supporting or transporting people, or for lifting or supporting loads over people.



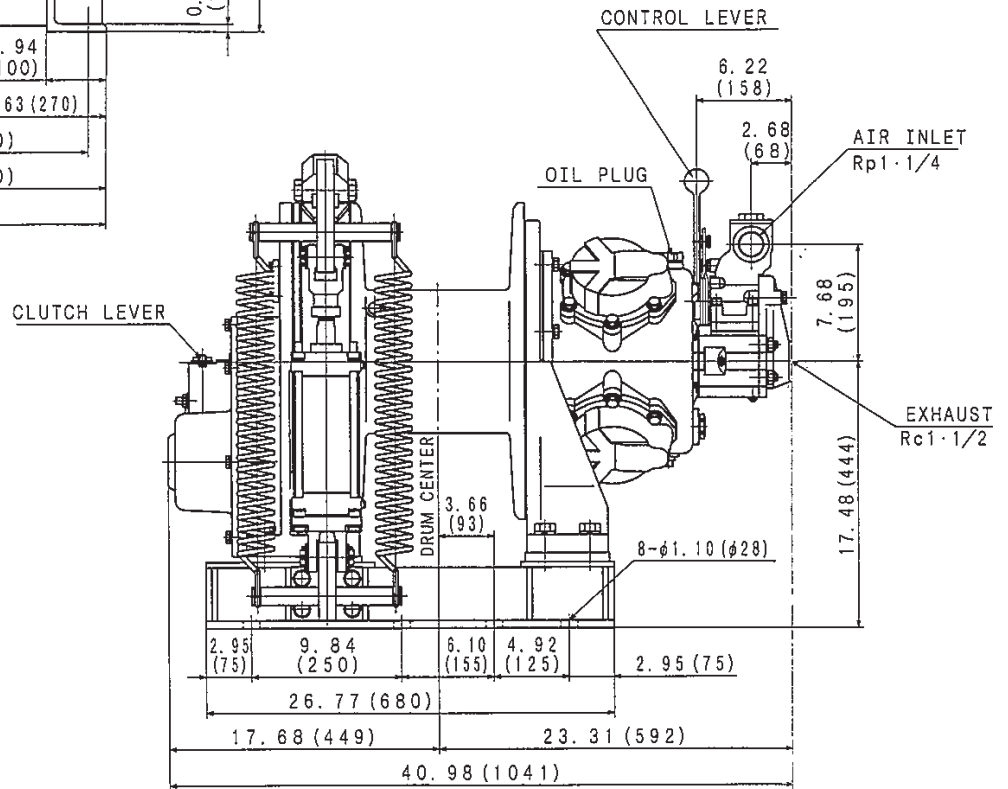
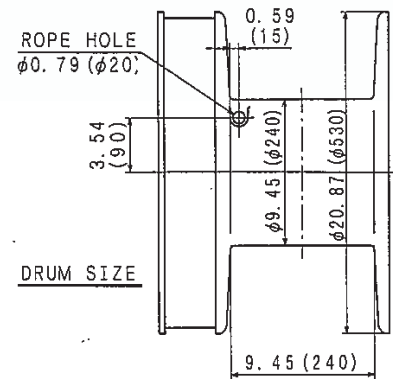
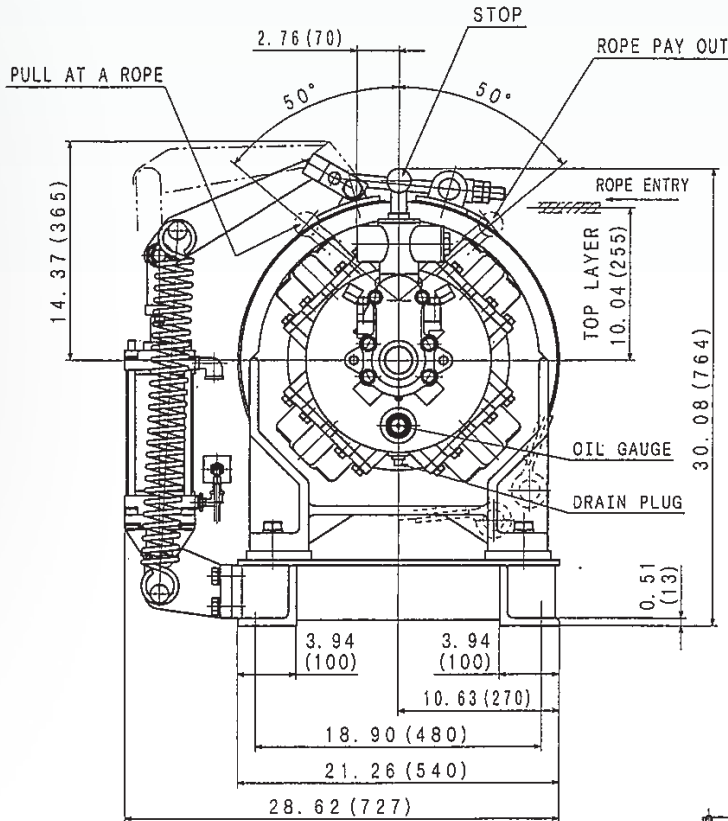
Model MP-W3036SAAB

6600 lb. Short Drum Winch w/ Auto Brake

SPECIFICATIONS (at Half Drum)

Motor Output	Capacity	Line Speed at Capacity	Cable Capacity	Weight w/o Rope	Avg. Air Consumption @ 90 psi
16.0 hp	6600 lbs.	62 ft./min.	5/8 in. x 525 ft.	1066 lbs.	318 cfm

Drawing Dimensions in Inches (millimeters listed in brackets)

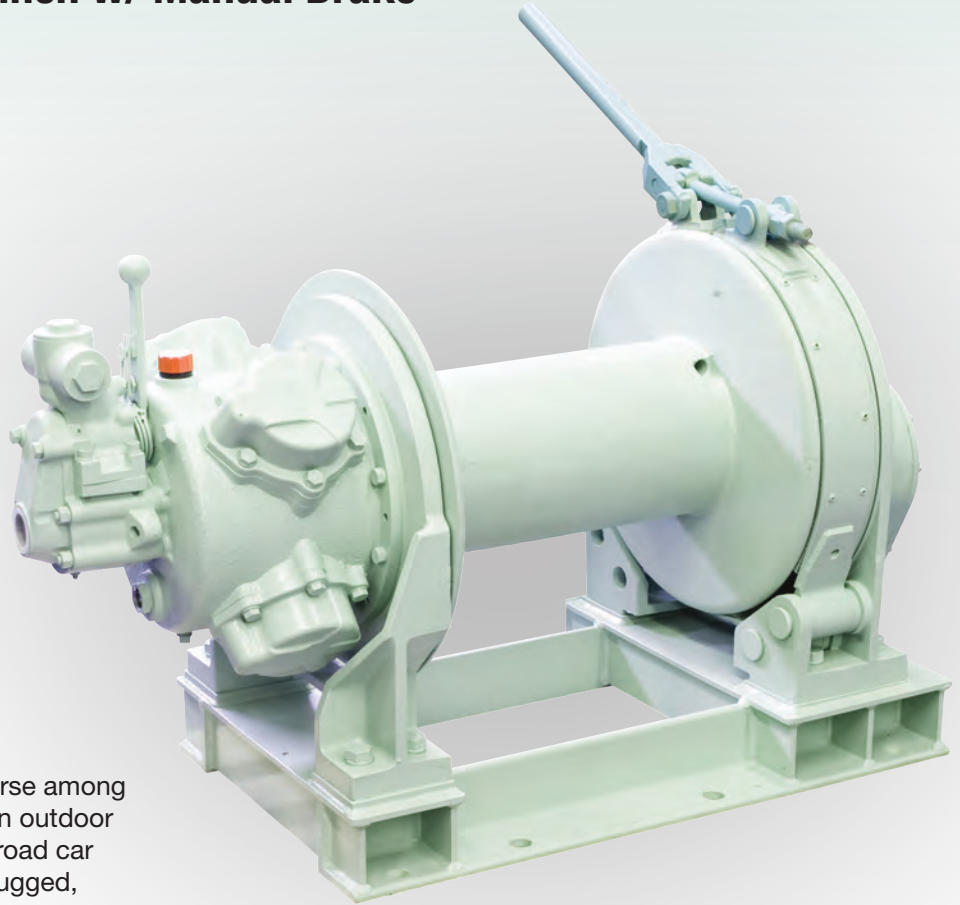


This equipment is not to be used for lifting, supporting or transporting people, or for lifting or supporting loads over people.



Model MP-W3036LACMB

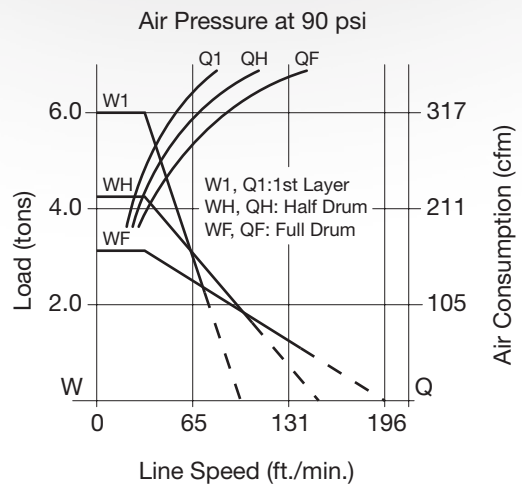
6600 lb. Long Drum Winch w/ Manual Brake



The MP-W3036 series tugger is a real work horse among the San-Ei tugger line; and they are preferred in outdoor applications such as oil platform work and railroad car moving. With its large 4-piston air motor and rugged, extra heavy-duty construction, this unit delivers return on investment. Ideal for long term rental applications in a variety of inclement weather. With a large footprint this is the tugger of choice where dependable mounting and operation is required.

Specifications

- Capacity 6600 lbs.
- Line Speed at Capacity 62 ft.
- Cable Capacity 1050 ft. of 5/8"
- Weight w/o Rope 1130 lbs.
- Air Inlet Thread 1-1/4"



This equipment is not to be used for lifting, supporting or transporting people, or for lifting or supporting loads over people.



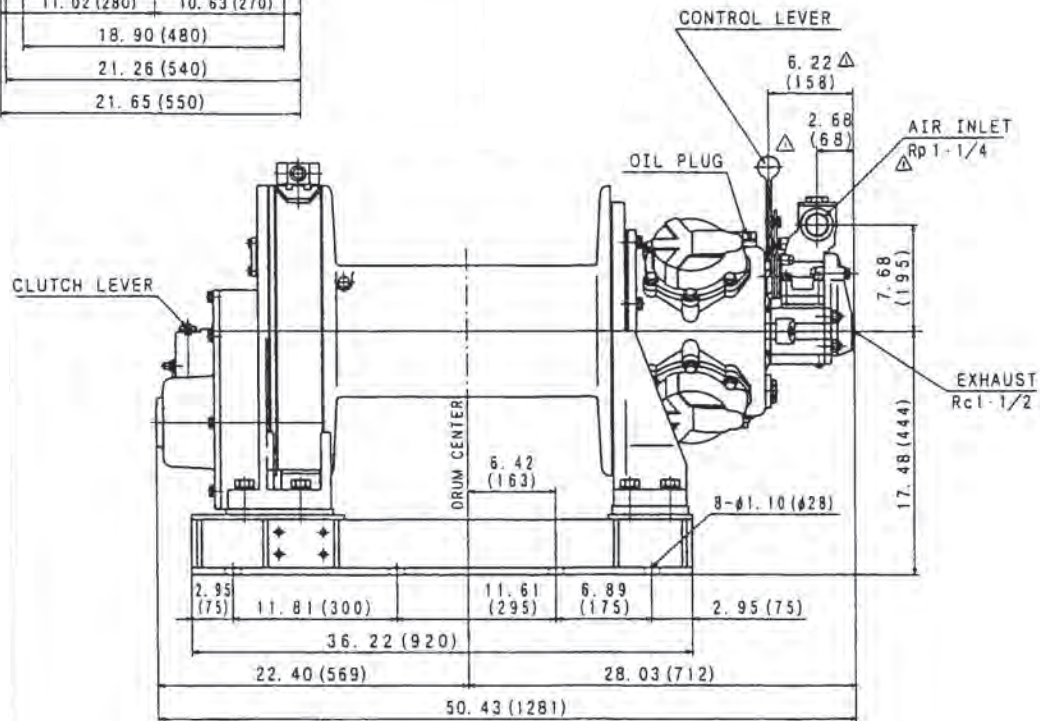
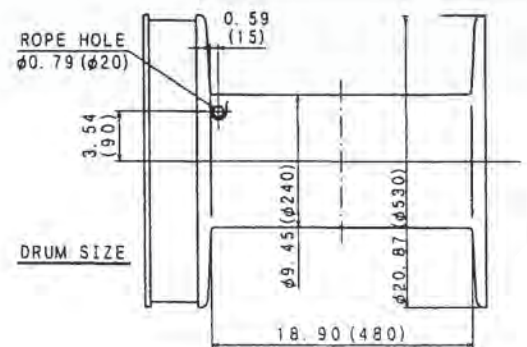
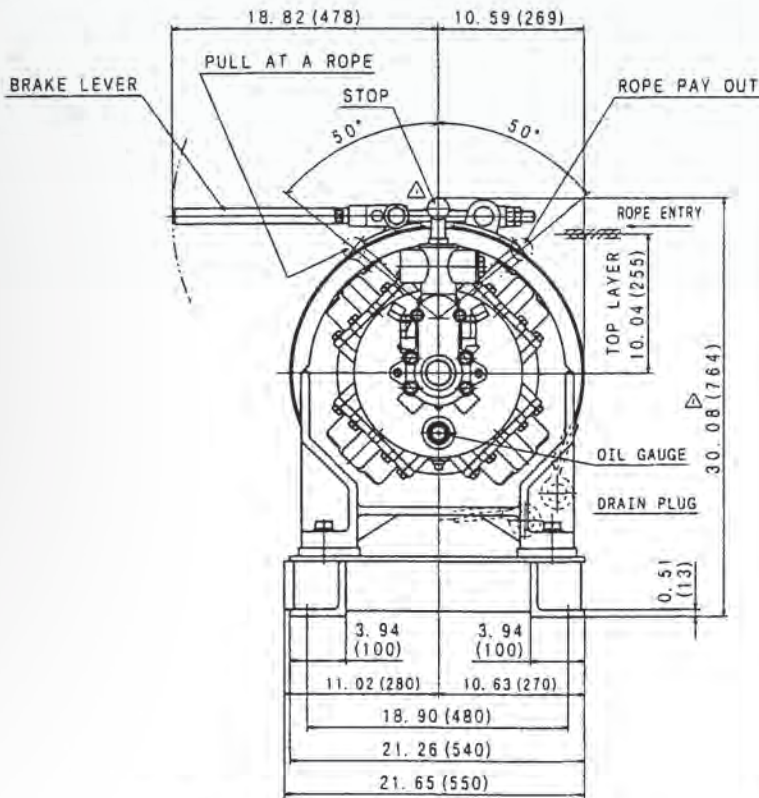
Model MP-W3036LACMB

6600 lb. Long Drum Winch w/ Manual Brake

SPECIFICATIONS (at Half Drum)

Motor Output	Capacity	Line Speed at Capacity	Cable Capacity	Weight w/o Rope	Avg. Air Consumption @ 90 psi
16.0 hp	6600 lbs.	62 ft./min.	5/8 in. x 1050 ft.	1030 lbs.	318 cfm

Drawing Dimensions in Inches (millimeters listed in brackets)



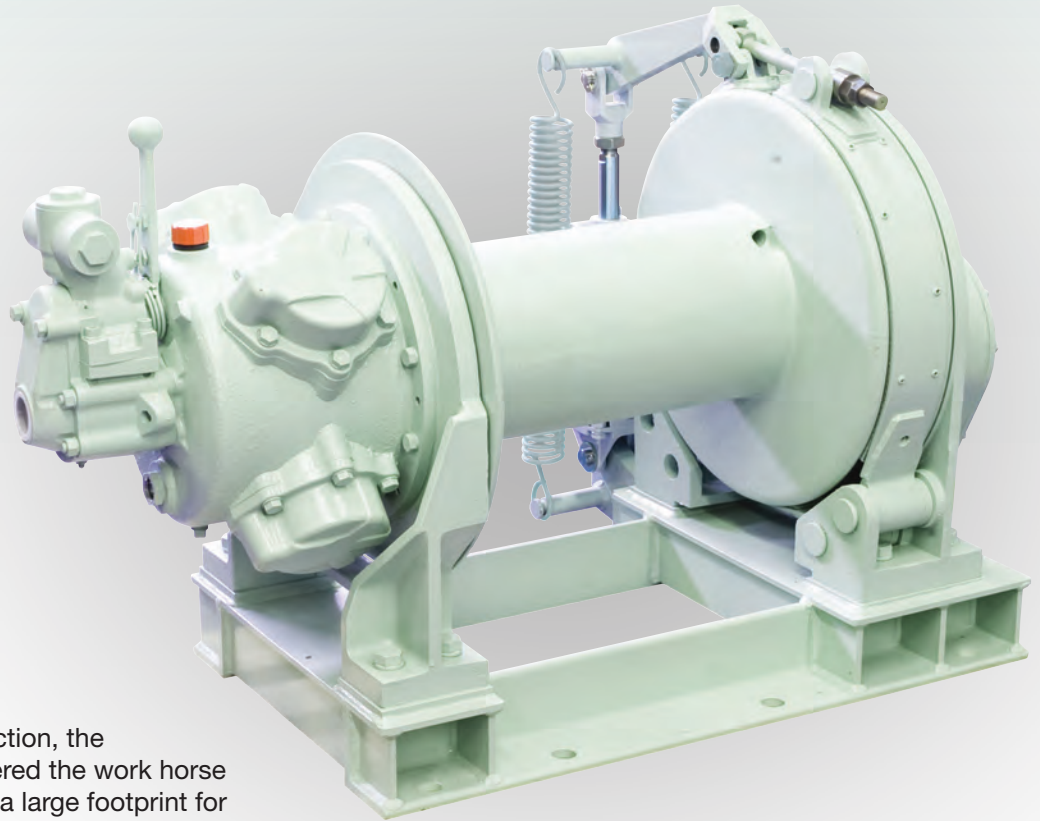
This equipment is not to be used for lifting, supporting or transporting people, or for lifting or supporting loads over people.



San-Ei Air Winches

Model MP-W3036LAAB

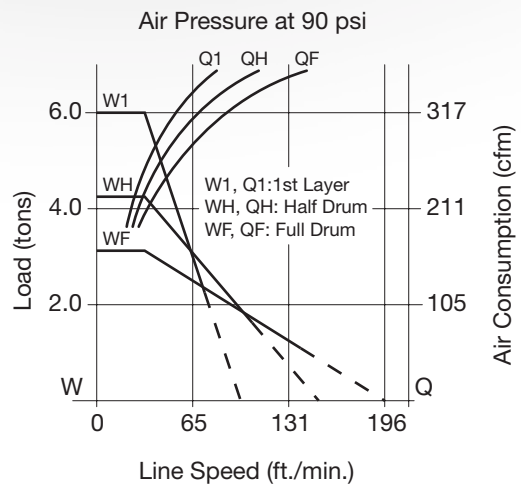
6600 lb. Long Drum Winch w/ Auto Brake



Built with extra heavy-duty construction, the MP-W3036 series tugger is considered the work horse of the San-Ei tugger line. Featuring a large footprint for dependable mounting, it is preferred above its competition for outdoor applications such as oil platform work and railroad car moving. With its large 4-piston air motor and rugged construction this unit delivers return on investment and is ideal for long term rental applications in a variety of inclement weather conditions.

Specifications

- Capacity 6600 lbs.
- Line Speed at Capacity 62 ft.
- Cable Capacity 1050 ft. of 5/8"
- Weight w/o Rope 1161 lbs.
- Air Inlet Thread 1-1/4"

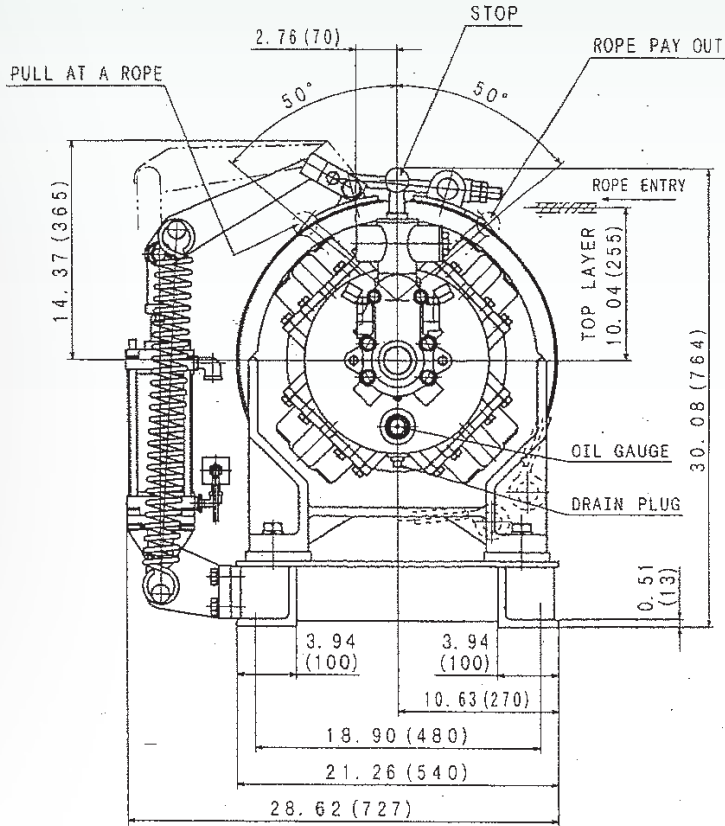


This equipment is not to be used for lifting, supporting or transporting people, or for lifting or supporting loads over people.



Model MP-W3036LAAB

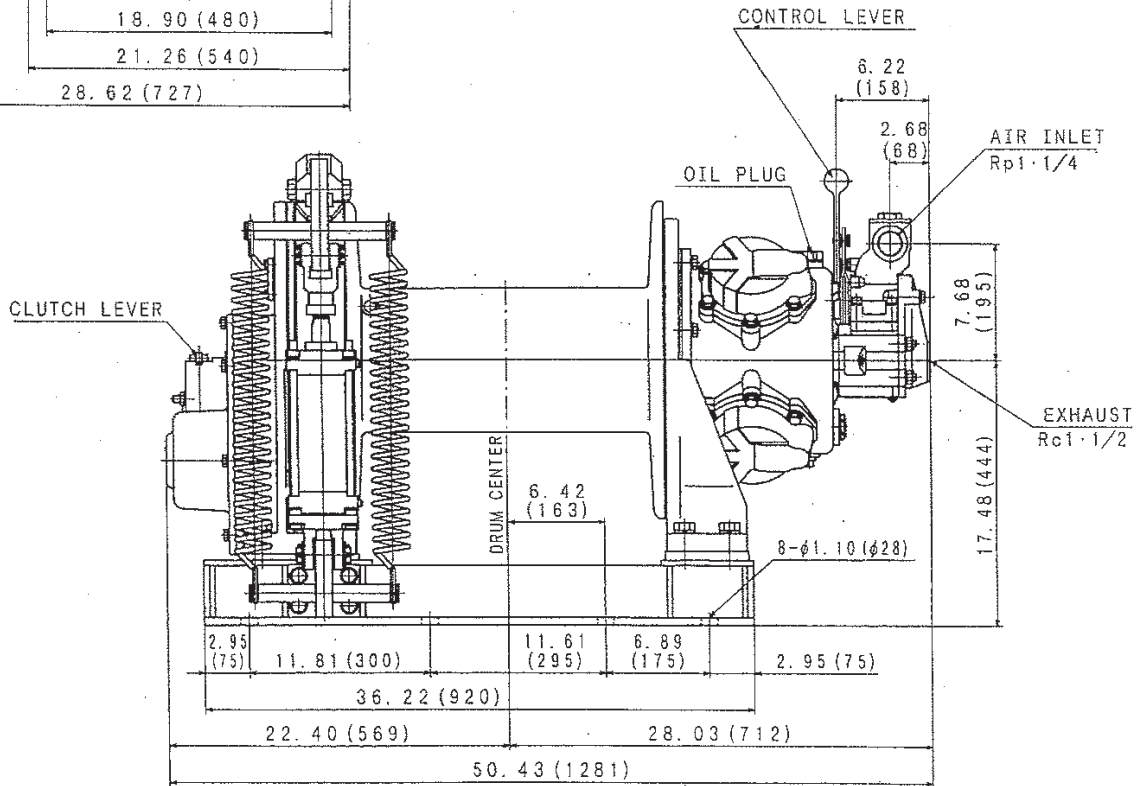
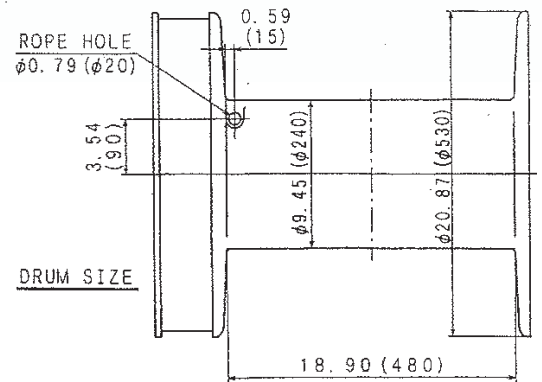
6600 lb. Long Drum Winch w/ Auto Brake



SPECIFICATIONS (at Half Drum)

Motor Output	Capacity	Line Speed at Capacity	Cable Capacity	Weight w/o Rope	Avg. Air Consumption @ 90 psi
16.0 hp	6600 lbs.	62 ft./min.	5/8 in. x 1050 ft.	1161 lbs.	318 cfm

Drawing Dimensions in Inches (millimeters listed in brackets)



This equipment is not to be used for lifting, supporting or transporting people, or for lifting or supporting loads over people.



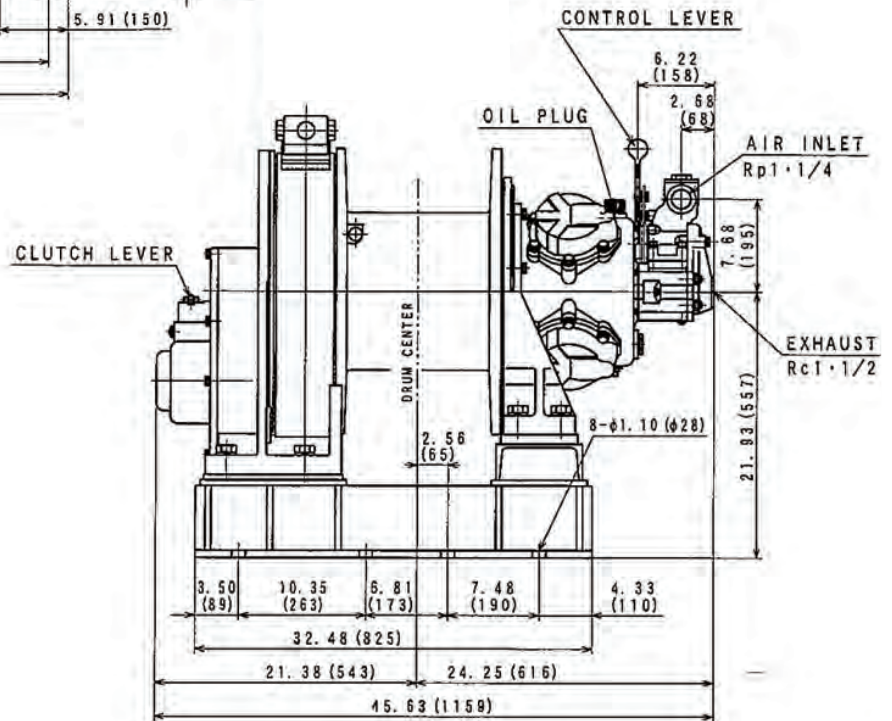
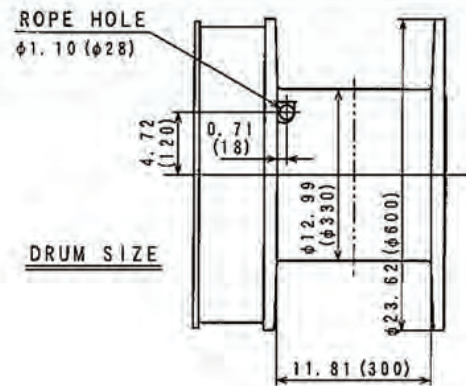
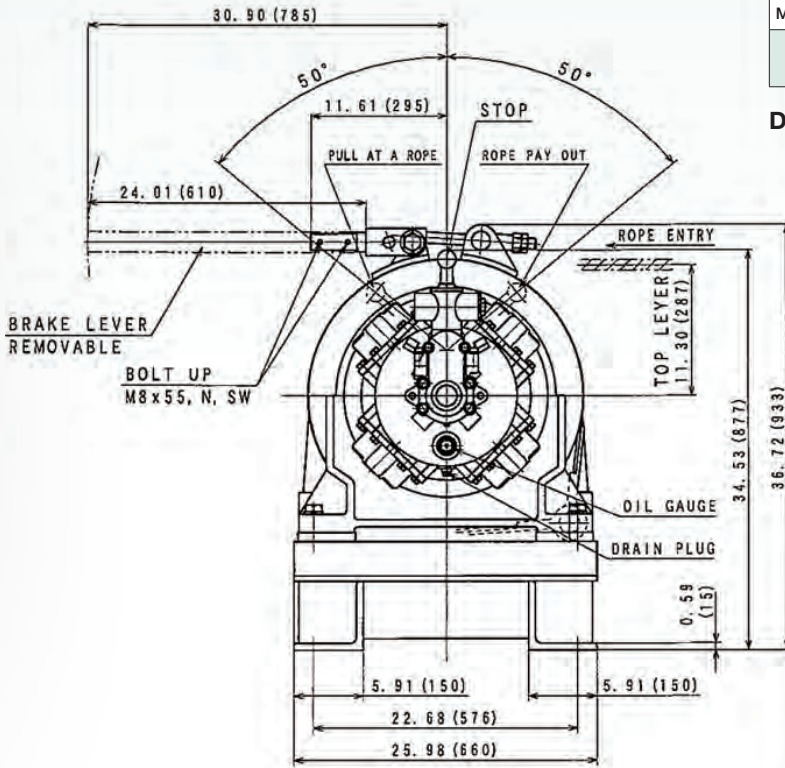
Model MP-W5036SACMB

11000 lb. Short Drum Winch w/ Manual Brake

SPECIFICATIONS (at Half Drum)

Motor Output	Capacity	Line Speed at Capacity	Cable Capacity	Weight w/o Rope	Avg. Air Consumption @ 90 psi
16.0 hp	11000 lbs.	36 ft./min.	3/4 in. x 500 ft. 7/8 in. x 375 ft.	1670 lbs.	318 cfm

Drawing Dimensions in Inches (millimeters listed in brackets)

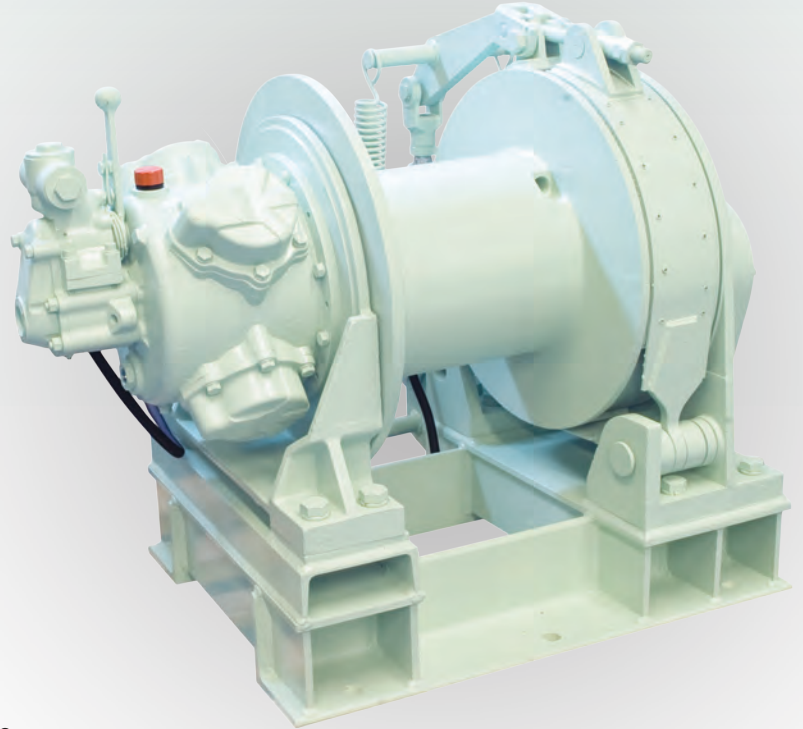


This equipment is not to be used for lifting, supporting or transporting people, or for lifting or supporting loads over people.



Model MP-W5036SAAB

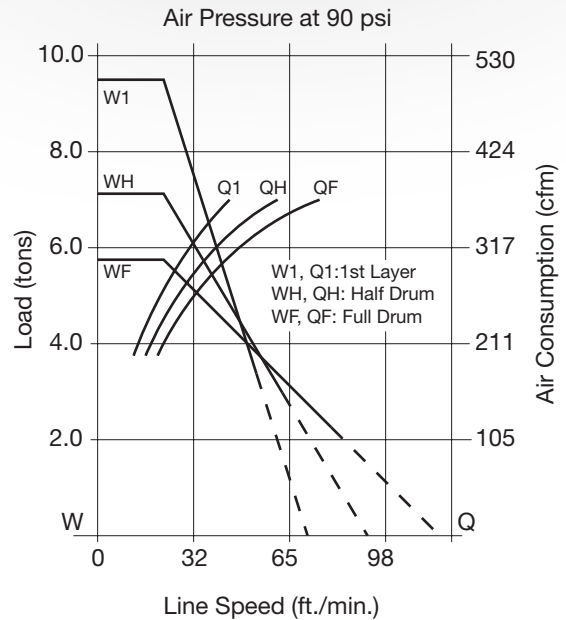
11000 lb. Short Drum Winch w/ Auto Brake



These tuggers have been supplied to ship building, petrochem and other marine industry applications. The MP-W5036 series tugger is ideal for the most rigorous applications. Durable design used for long term rentals with minimal maintenance. Features San-Ei's 4-piston air motor, super-duty frame and base construction, and extra wide brake band, ensuring safe load delivery and operation.

Specifications

Capacity	11000 lbs.
Line Speed at Capacity	36 ft.
Cable Capacity	500 ft. of 3/4"
	375 ft. of 7/8"
Weight w/o Rope	1716 lbs.
Air Inlet Thread	1-1/4"



This equipment is not to be used for lifting, supporting or transporting people, or for lifting or supporting loads over people.



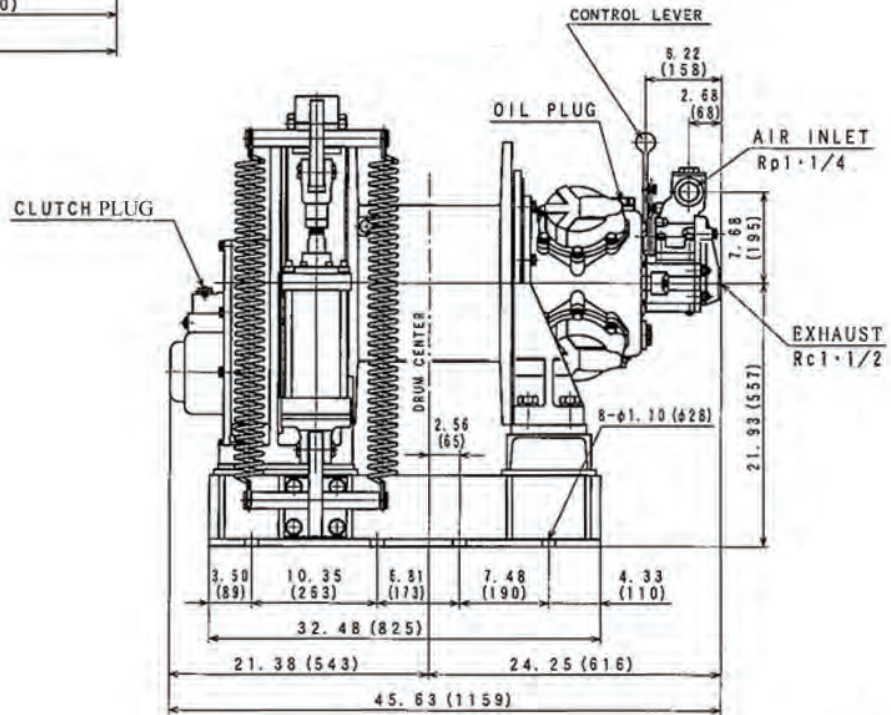
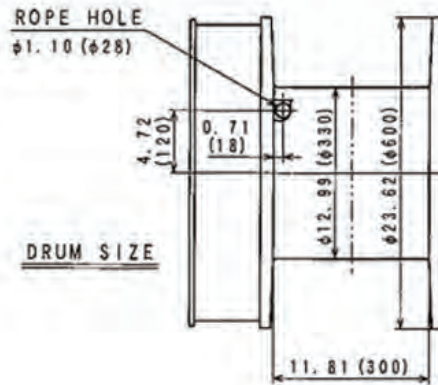
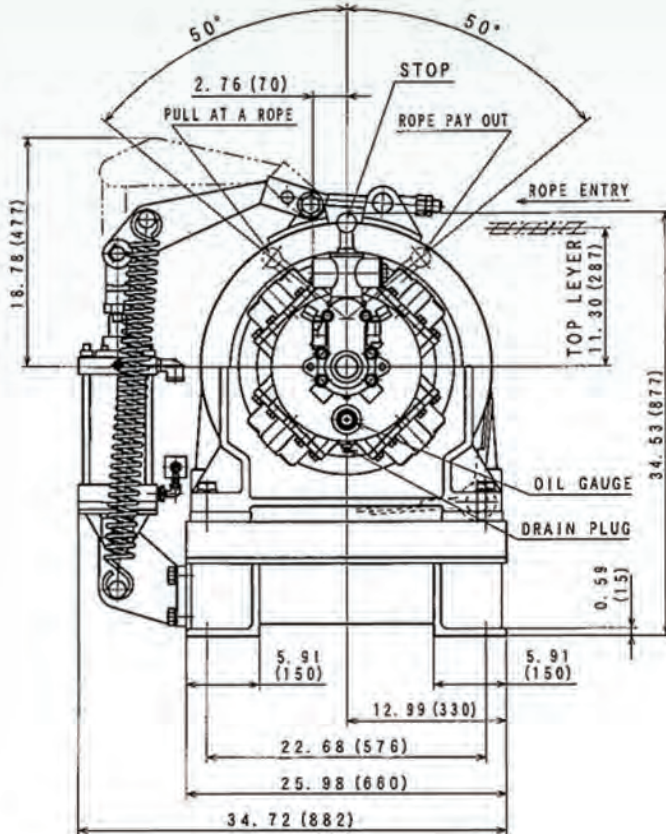
Model MP-W5036SAAB

11000 lb. Short Drum Winch w/ Auto Brake

SPECIFICATIONS (at Half Drum)

Motor Output	Capacity	Line Speed at Capacity	Cable Capacity	Weight w/o Rope	Avg. Air Consumption @ 90 psi
16.0 hp	11000 lbs.	36 ft./min.	3/4 in. x 500 ft. 7/8 in. x 375 ft.	1716 lbs.	318 cfm

Drawing Dimensions in Inches (millimeters listed in brackets)

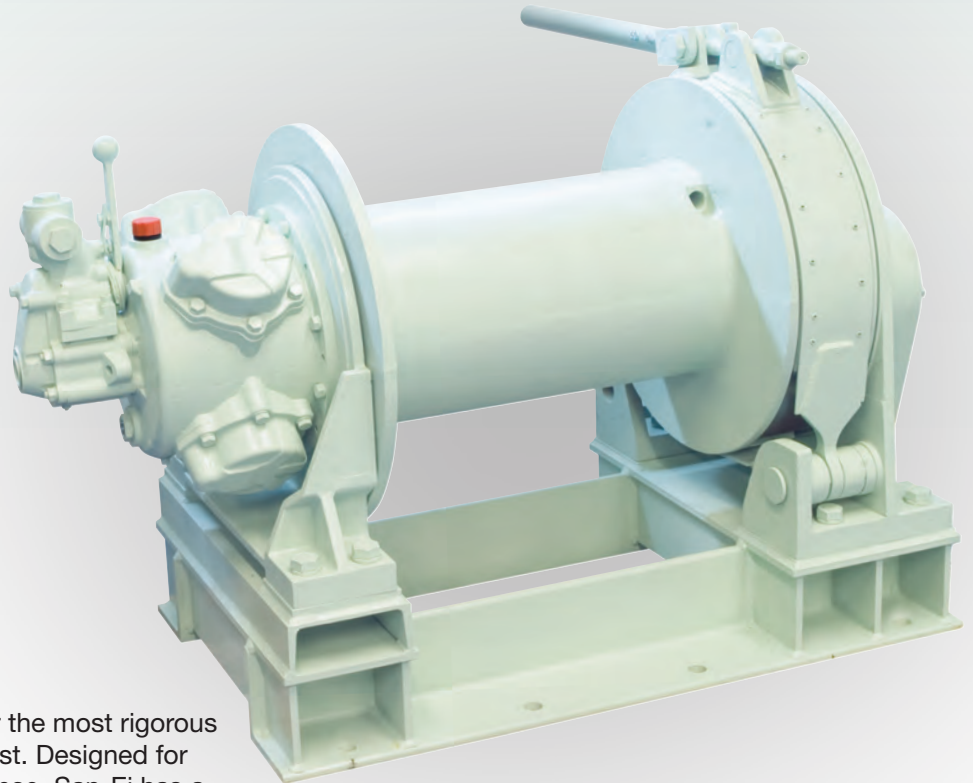


This equipment is not to be used for lifting, supporting or transporting people, or for lifting or supporting loads over people.



Model MP-W5036LACMB

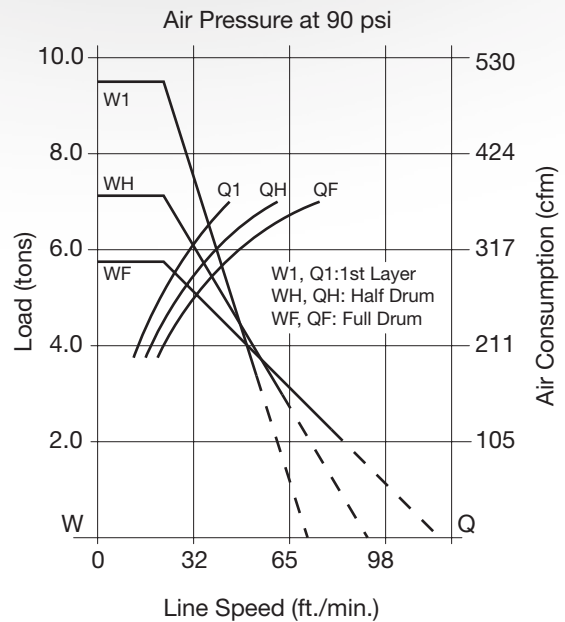
11000 lb. Long Drum Winch w/ Manual Brake



The MP-W5036 series tugger is ideal for the most rigorous applications when dependability is a must. Designed for long term rentals with minimal maintenance. San-Ei has a great history of supplying these tuggers to ship building, petrochem and other marine industry applications. Extra wide brake band ensures confident user operation and safe load delivery. Featuring San-Ei's 4-piston air motor and super-duty frame and base construction.

Specifications

- Capacity 11000 lbs.
- Line Speed at Capacity 36 ft.
- Cable Capacity 1000 ft. of 3/4"
750 ft. of 7/8"
- Weight w/o Rope 1890 lbs.
- Air Inlet Thread 1-1/4"



This equipment is not to be used for lifting, supporting or transporting people, or for lifting or supporting loads over people.



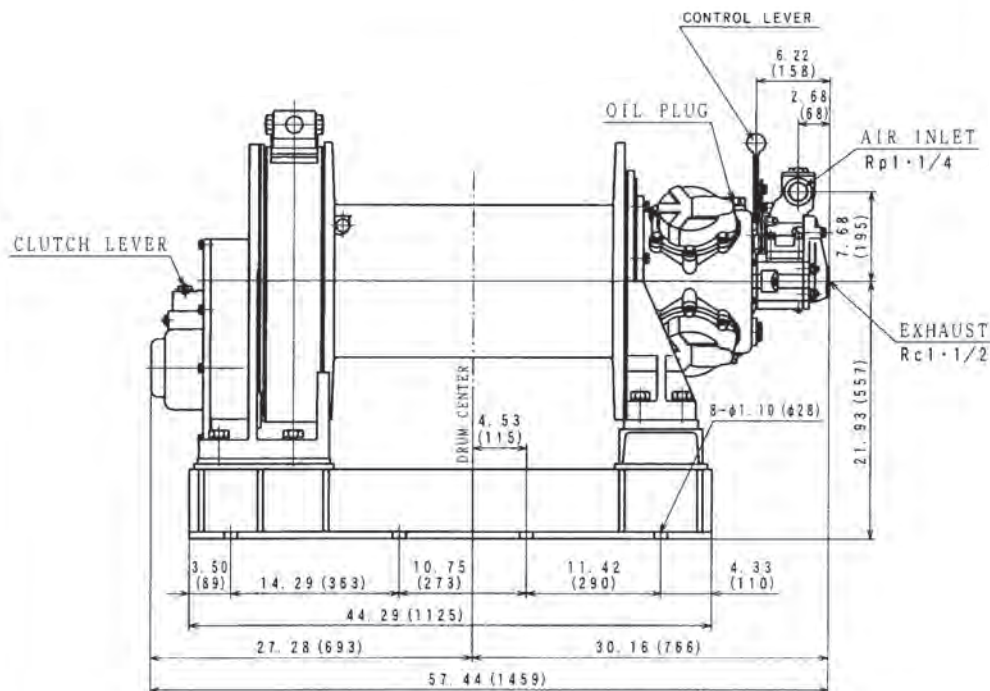
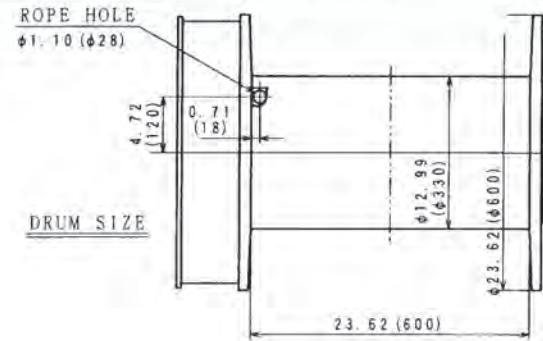
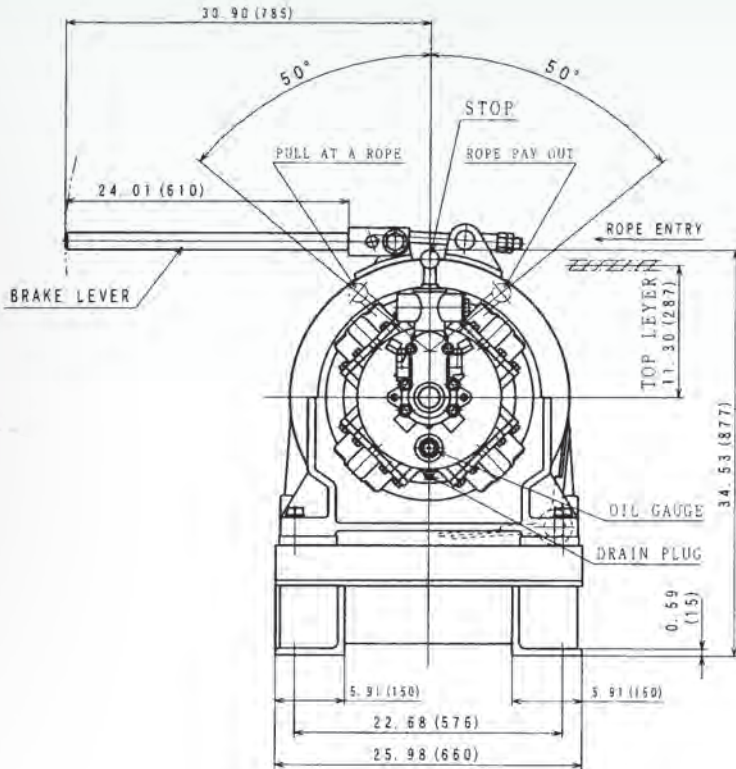
Model MP-W5036LACMB

11000 lb. Long Drum Winch w/ Manual Brake

SPECIFICATIONS (at Half Drum)

Motor Output	Capacity	Line Speed at Capacity	Cable Capacity	Weight w/o Rope	Avg. Air Consumption @ 90 psi
16.0 hp	11000 lbs.	36 ft./min.	3/4 in. x 1000 ft. 7/8 in. x 750 ft.	1890 lbs.	318 cfm

Drawing Dimensions in Inches (millimeters listed in brackets)

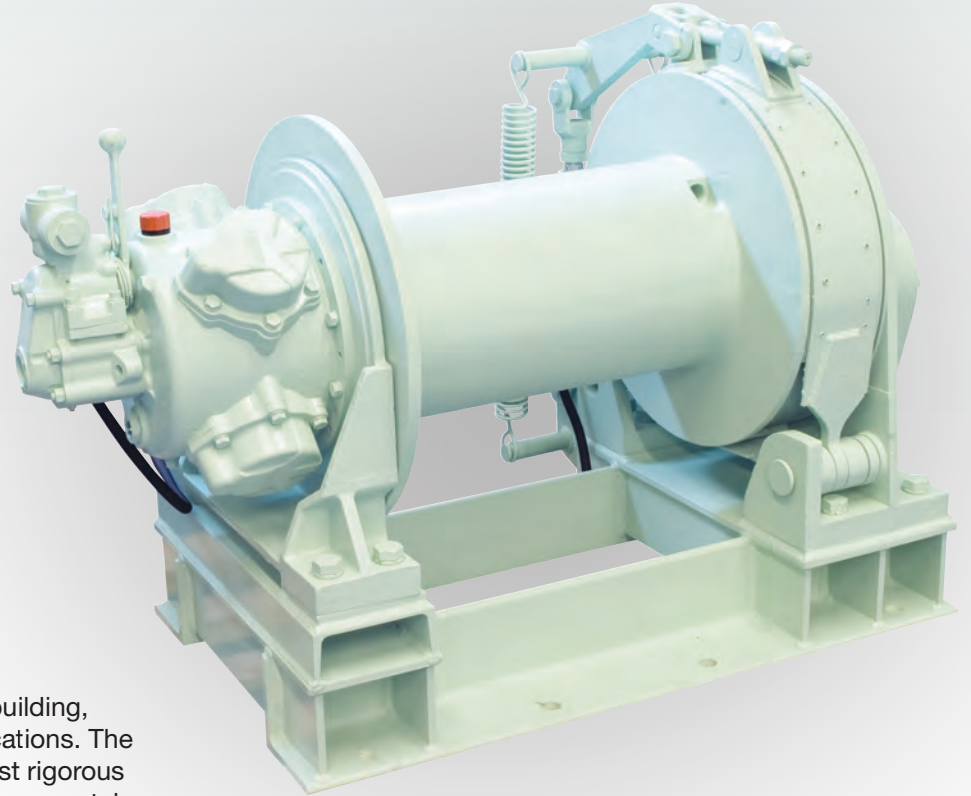


This equipment is not to be used for lifting, supporting or transporting people, or for lifting or supporting loads over people.



Model MP-W5036LAAB

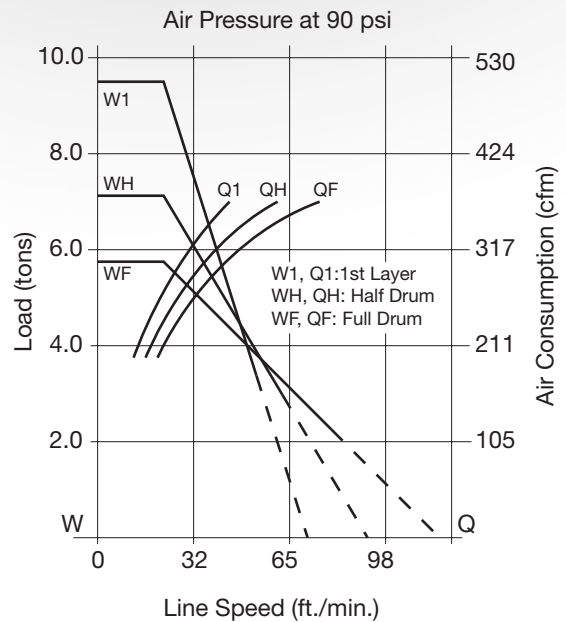
11000 lb. Long Drum Winch w/ Auto Brake



These tuggers have been supplied to ship building, petrochem and other marine industry applications. The MP-W5036 series tugger is ideal for the most rigorous applications. Durable design used for long term rentals with minimal maintenance. Features San-Ei's 4-piston air motor, super-duty frame and base construction, and extra wide brake band, ensuring safe load delivery and operation.

Specifications

- Capacity 11000 lbs.
- Line Speed at Capacity 36 ft.
- Cable Capacity 1000 ft. of 3/4"
750 ft. of 7/8"
- Weight w/o Rope 1923 lbs.
- Air Inlet Thread 1-1/4"



This equipment is not to be used for lifting, supporting or transporting people, or for lifting or supporting loads over people.



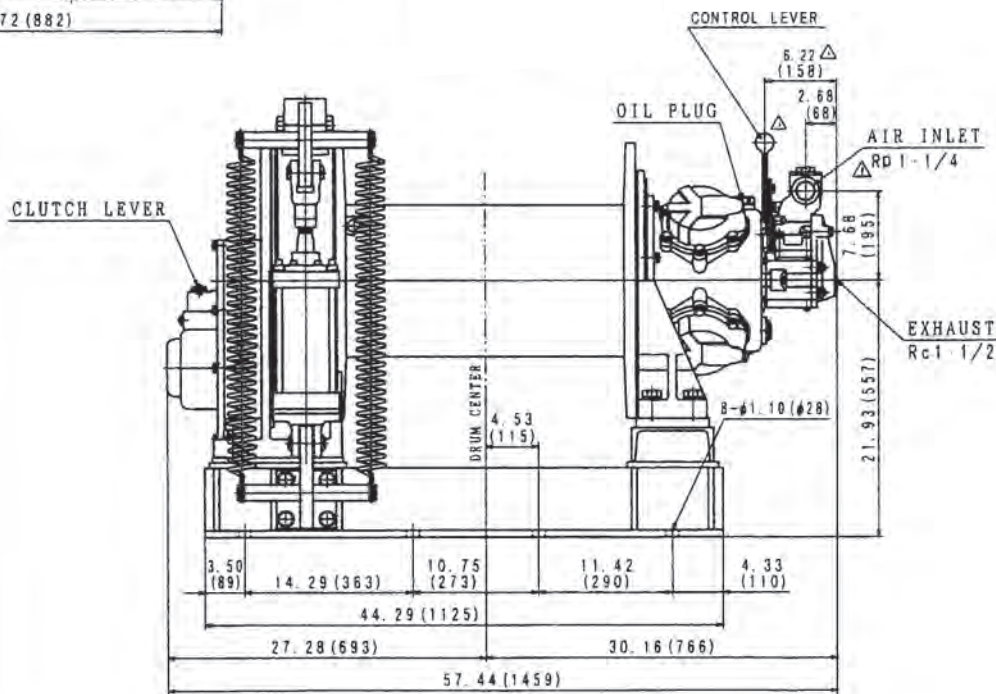
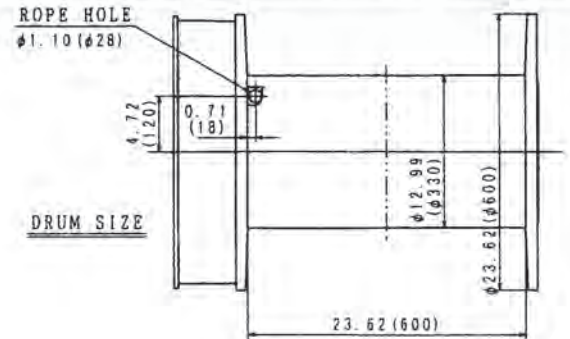
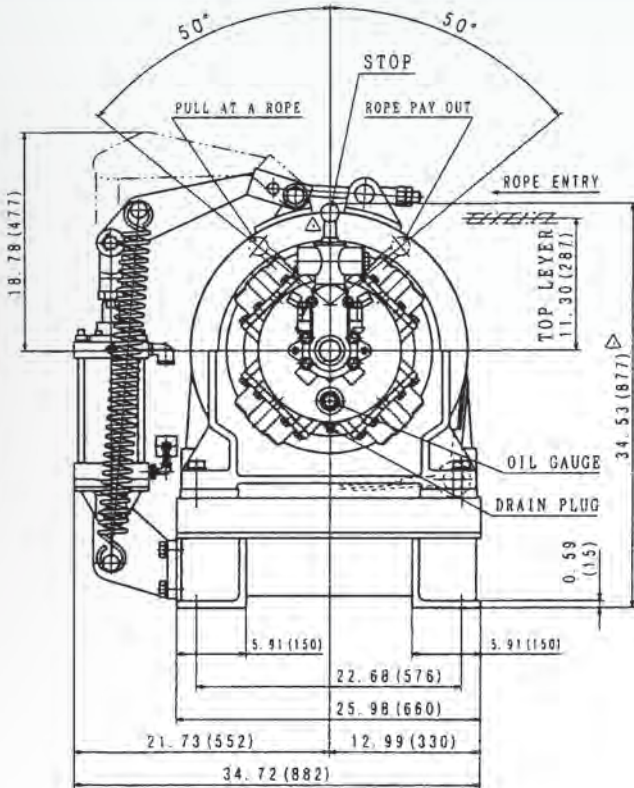
Model MP-W5036LAAB

11000 lb. Long Drum Winch w/ Auto Brake

SPECIFICATIONS (at Half Drum)

Motor Output	Capacity	Line Speed at Capacity	Cable Capacity	Weight w/o Rope	Avg. Air Consumption @ 90 psi
16.0 hp	11000 lbs.	36 ft./min.	3/4 in. x 1000 ft. 7/8 in. x 750 ft.	1923 lbs.	318 cfm

Drawing Dimensions in Inches (millimeters listed in brackets)

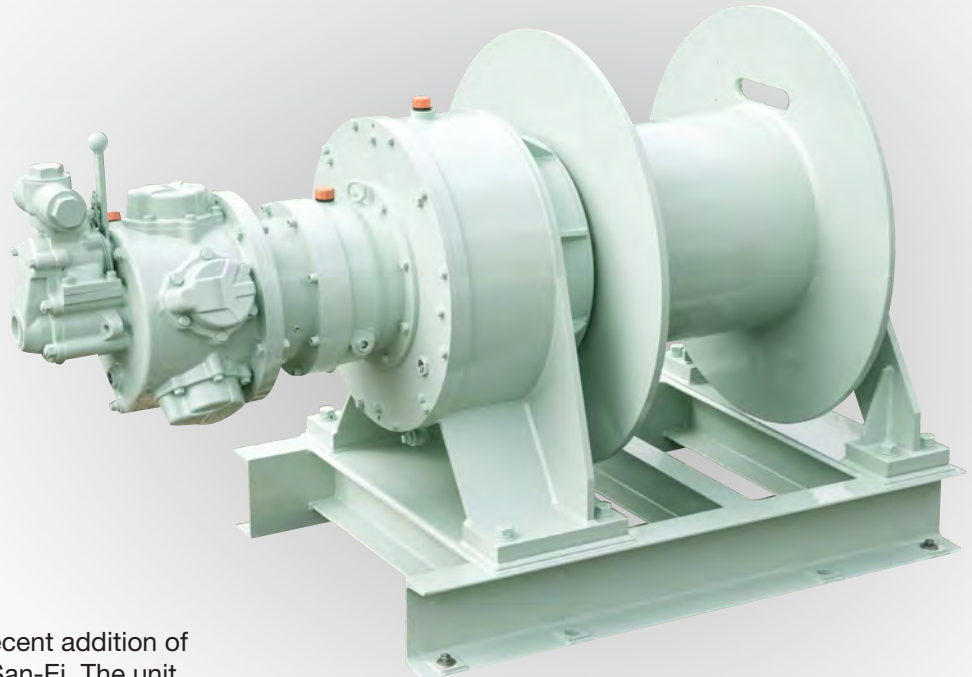


This equipment is not to be used for lifting, supporting or transporting people, or for lifting or supporting loads over people.



Model MP-AH45-100-S1H

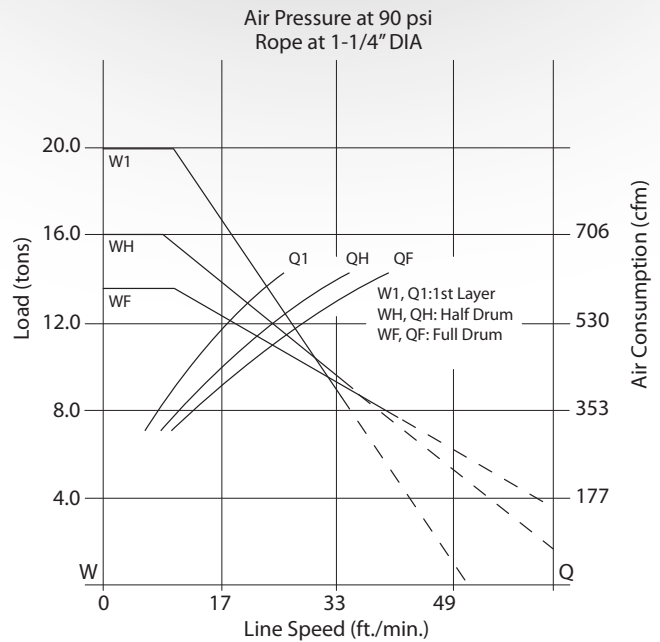
22000 lb. Standard Drum Winch w/ Auto Brake



The MP-AH45 series tugger is the most recent addition of the super-duty line of tuggers offered by San-Ei. The unit features a 5 piston air motor and a sealed dry disc brake system for the most extremely rigorous applications. It is designed for long term rentals with minimum maintenance. This unit would be ideal for ship building, petrochem and other large capacity marine applications. This tugger will handle any application put in front of it.

Specifications

- Capacity22,000 lbs.
- Line Speed at Capacity27 ft./min
- Cable Capacity853 ft. of 1-1/4"
- Weight w/o Rope3375 lbs.
- Air Inlet Thread2"



This equipment is not to be used for lifting, supporting or transporting people, or for lifting or supporting loads over people.



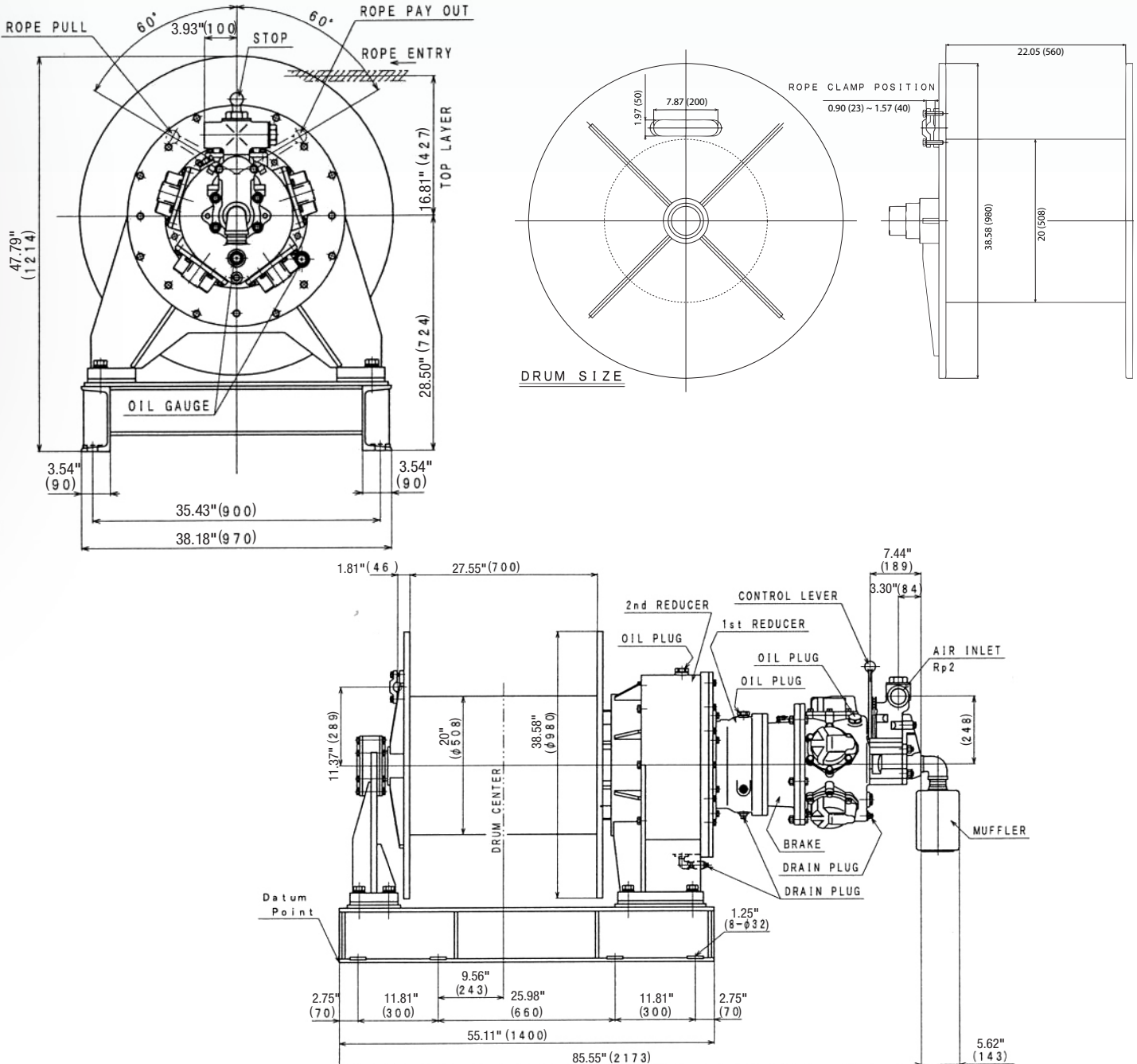
Model MP-AH45-100-S1H

22000 lb. Standard Drum Winch w/ Auto Brake

SPECIFICATIONS (at Half Drum)

Motor Output	Capacity	Line Speed at Capacity	Cable Capacity	Weight w/o Rope	Avg. Air Consumption @ 90 psi
23.0 hp	22000 lbs.	27 ft./min.	1-1/4 in. x 853 ft.	3375 lbs.	600 cfm

Drawing Dimensions in Inches (millimeters listed in brackets)



This equipment is not to be used for lifting, supporting or transporting people, or for lifting or supporting loads over people.



Guards & Pendant Controls



Drum Guards



MP-W05AA3SACMBG
Tugger w/ Guard

MP-W20220SPAB
Tugger w/ Pendant



Part No.	Drum	Fits Tool Model No.
E302-104G	Short	MP-W05 Series
E398-001G	Short	MP-W10220S Series MP-W20220S Series
E398-003G	Long	MP-W10220L Series MP-W20220L Series
E398-005G	Short	MP-W3036S Series
E398-007G	Long	MP-W3036L Series
E305-011G	Short	MP-W5036S Series
E305-013G	Long	MP-W5036L Series
E305-015G	Standard	MP-AH45-100-S1H Series

Notice: Do not lift tugger by guards. Guards were designed to prevent entanglement.

Complete Model Reference

Model Description	Standard Model No.	Model No. w/ Pendant	Model No. w/ Guard	Model No. w/ Pendant & Guard
1100 lb., Short Drum, Manual Brake 1100 lb., Short Drum, Auto Brake	MP-W05AA3SACMB MP-W05AA3SAAB	- MP-W05AA3SPAB	MP-W05AA3SACMBG MP-W05AA3SAABG	- MP-W05AA3SPABG
2200 lb., Short Drum, Manual Brake 2200 lb., Short Drum, Auto Brake 2200 lb., Long Drum, Manual Brake 2200 lb., Long Drum, Auto Brake	MP-W10220SACMB MP-W10220SAAB MP-W10220LACMB MP-W10220LAAB	- MP-W10220SPAB - MP-W10220LPAB	MP-W10220SACMBG MP-W10220SAABG MP-W10220LACMBG MP-W10220LAABG	- MP-W10220SPABG - MP-W10220LPABG
4400 lb., Short Drum, Manual Brake 4400 lb., Short Drum, Auto Brake 4400 lb., Long Drum, Manual Brake 4400 lb., Long Drum, Auto Brake	MP-W20220SACMB MP-W20220SAAB MP-W20220LACMB MP-W20220LAAB	- MP-W20220SPAB - MP-W20220LPAB	MP-W20220SACMBG MP-W20220SAABG MP-W20220LACMBG MP-W20220LAABG	- MP-W20220SPABG - MP-W20220LPABG
6600 lb., Short Drum, Manual Brake 6600 lb., Short Drum, Auto Brake 6600 lb., Long Drum, Manual Brake 6600 lb., Long Drum, Auto Brake	MP-W3036SACMB MP-W3036SAAB MP-W3036LACMB MP-W3036LAAB	- MP-W3036SPAB - MP-W3036LPAB	MP-W3036SACMBG MP-W3036SAABG MP-W3036LACMBG MP-W3036LAABG	- MP-W3036SPABG - MP-W3036LPABG
11000 lb., Short Drum, Manual Brake 11000 lb., Short Drum, Auto Brake 11000 lb., Long Drum, Manual Brake 11000 lb., Long Drum, Auto Brake	MP-W5036SACMB MP-W5036SAAB MP-W5036LACMB MP-W5036LAAB	- MP-W5036SPAB - MP-W5036LPAB	MP-W5036SACMBG MP-W5036SAABG MP-W5036LACMBG MP-W5036LAABG	- MP-W5036SPABG - MP-W5036LPABG
22000 lb., Standard Drum, Auto Brake	MP-AH45-100-S1H	MP-AH45-100-S1PH	MP-AH45-100-S1HG	MP-AH45-100-S1PHG

Pendant / Remote Control Retro-fit Kits Available.

This equipment is not to be used for lifting, supporting or transporting people, or for lifting or supporting loads over people.

Accessories

Exhaust Mufflers

Part No.	Size	Fits Tool Model No.
DM3-MFLRKIT	3/4" NPT	MP-W05 Series
DM220-MFLRKIT	1-1/2" NPT	MP-W10220 Series MP-W20220 Series
DM36-MFLRKIT	1-1/2" NPT	MP-W3036 Series MP-W5036 Series
DM45-MFLRKIT	2" NPT	MP-AH45 Series

DM3-MFLRKIT



DM220-MFLRKIT



DM45-MFLRKIT



Filter / Lubricator Kits

Part No.	Size	Fits Tool Model No.
S14590-3/4	3/4" NPT	MP-W05 Series
S14590-1	1" NPT	MP-W10220S Series MP-W10220L Series MP-W20220S Series MP-W20220L Series
S14590-1 1/4	1-1/4" NPT	MP-W3036S Series MP-W3036L Series MP-W5036S Series MP-W5036L Series
S14590-2	2" NPT	MP-AH45 Series

S14590-1



S14590-1 1/4



W05LSCAB



W20LSCAB

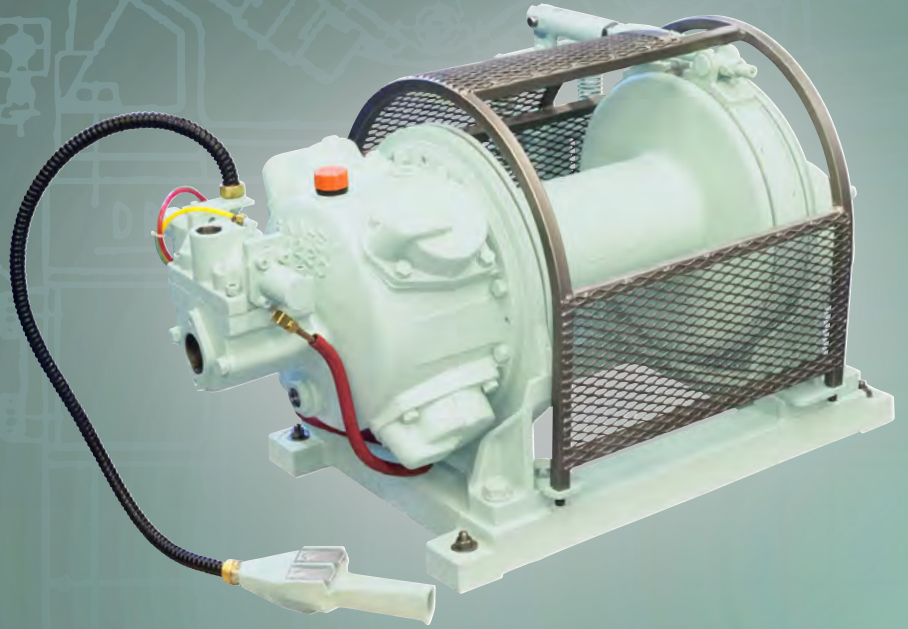


W50LSCAB

Support Cages

Part No.	Drum/Brake	Fits Tool Model No.
W05SSCMB	Short/Manual	MP-W05 Manual Brake Series
W05SSCAB	Short/Auto	MP-W05 Auto Brake Series
W20SSCMB	Short/Manual	MP-W10220S Manual Brake Series, MP-W20220S Manual Brake Series
W20SSCAB	Short/Auto	MP-W10220S Auto Brake Series, MP-W20220S Auto Brake Series
W20LSCMB	Long/Manual	MP-W10220L Manual Brake Series, MP-W20220L Manual Brake Series
W20LSCAB	Long/Auto	MP-W10220L Auto Brake Series, MP-W20220L Auto Brake Series
W30SSCMB	Short/Manual	MP-W3036S Manual Brake Series
W30SSCAB	Short/Auto	MP-W3036S Auto Brake Series
W30LSCMB	Long/Manual	MP-W3036L Manual Brake Series
W30LSCAB	Long/Auto	MP-W3036L Auto Brake Series
W50SSCMB	Short/Manual	MP-W5036S Manual Brake Series
W50SSCAB	Short/Auto	MP-W5036S Auto Brake Series
W50LSCMB	Long/Manual	MP-W5036L Manual Brake Series
W50LSCAB	Long/Auto	MP-W5036L Auto Brake Series
AH45SSCAB	Std/Auto	MP-AH45-100-S1H Series

This equipment is not to be used for lifting, supporting or transporting people, or for lifting or supporting loads over people.



MICHIGAN PNEUMATIC TOOL

Air Winches

6850 Middlebelt Rd. • PO Box 906
Romulus, MI 48174-7406

© 2018 Michigan Pneumatic® Tool, Inc.

